

FILLED TYPE THERMOMETERS

SH4/SH4-QS(Ø100) & SH6/SH6-QS(Ø150)

Technical Data

- Direct mounting**
- Liquid gas filled available**
- Dial size:** Ø100, Ø150 available
- Material of case & cover:** 316 stainless steel
- Material of stem:** 316 stainless steel
- Lens:** Glass, safety glass available
- Housing enclosure:** IP65, liquid filled available
- Range limit:** -50 to 600°C
- Stem dimensions:** Ø 6, 8, 10, 12 mm available
- Stem length limit:** 65-1000 mm, option available
- Inner zero adjustable**
- Accuracy:** ±1% (FS)
- Process connection:** 1/2"NPT standard, Other available
- Over range protection:** 130%(FS)
- Contact type limit switch:** available 7 functions for usage.



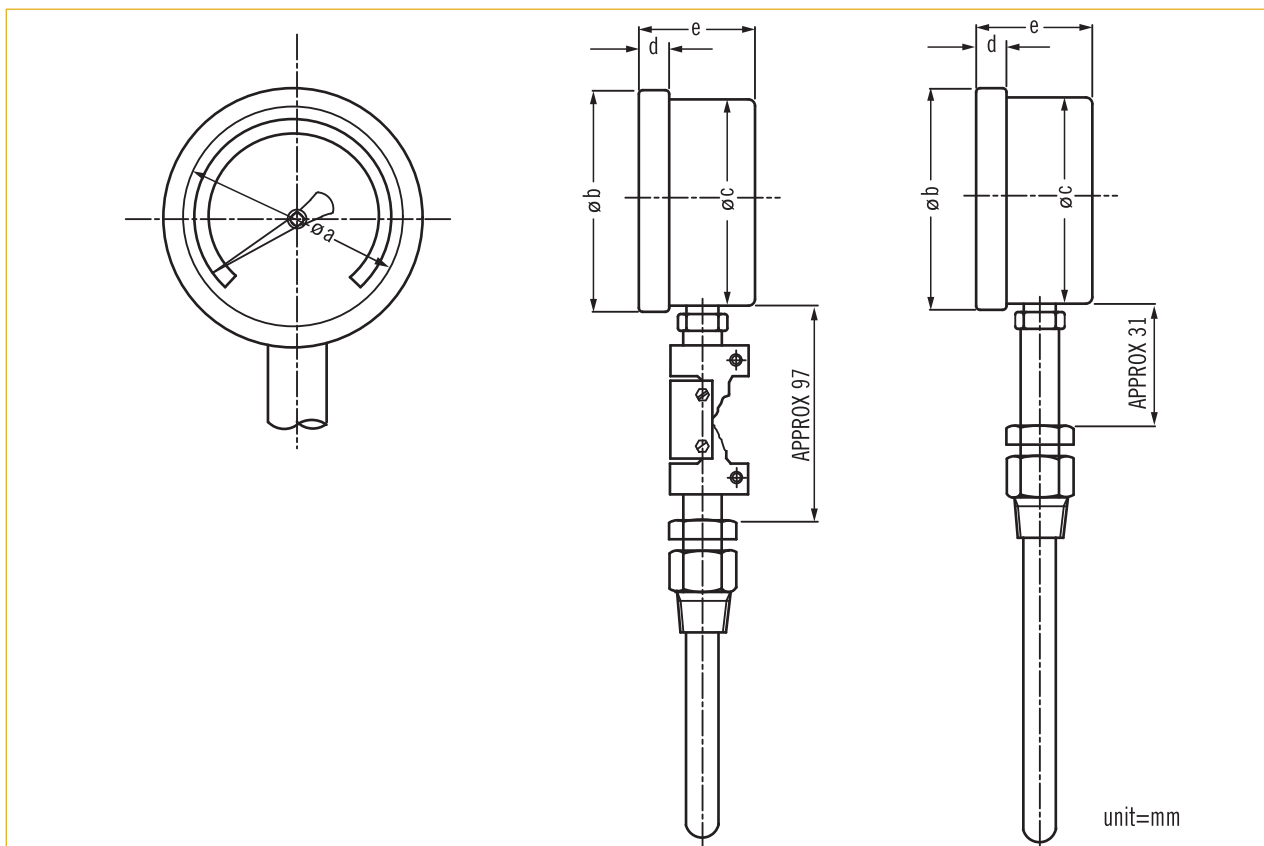
SH-QS

(Every Angle Connection)

SH

(Bottom Connection)

Dimensions

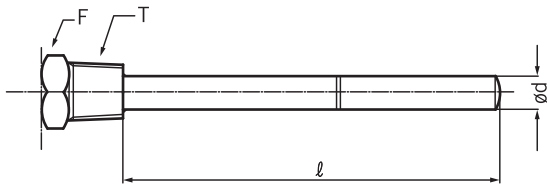


	a	b	c	d	e
SH4 SH4-QS	94	113	102	13	54
SH6 SH6-QS	140	165	153	15	54

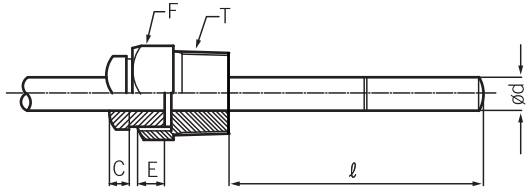
NOTE
Performance Technical Data are effective with date of issue and are subject to change without prior notice.

*Sensor bulb and connection, consult to factory.

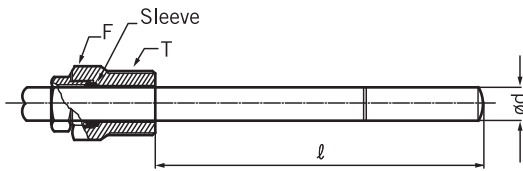
Connection Type



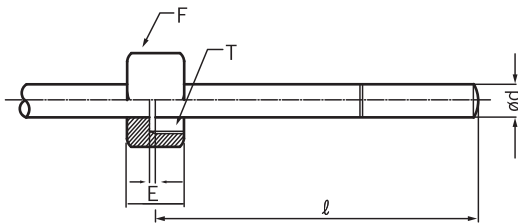
(A) Fixed Thread Type



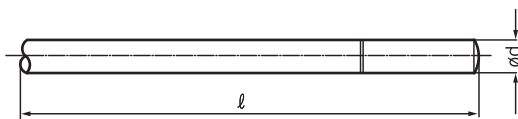
(B) Rotary Thread Type



(C) Slide Thread Type
(Length "l" changed available.)



(D) Female Thread Type
(Rotation Style)



(E) Non Thread Type

T: Process connection
E: Stop plate for (rotary & rotation style)
F: Hexagonal head
l: Sensor length
d: Sensor dimension

Table for Range and Stem

LIQUID FILLED TYPE						
Standard Scale Range (°C)	Minor Division (°C)		Minimum Stem Length (mm)			
			Outer Diameter of Stem			
	Ø100	Ø150	Ø6	Ø8	Ø10	Ø12
-70~+50	2	2		90	80	80
-50~+50	1	1		100	90	90
-30~+50	1	1	205	110	90	90
-30~+100	2	2	130	90	80	80
-10~+50	1	1	270	120	110	110
-10~+100	2	2	155	90	80	80
0~50	1	1	325	140	120	120
0~80	1	1	205	110	90	90
0~100	1	1	165	100	90	90
0~120	2	2	140	90	80	80
0~150	2	2	115	80	70	70
0~200	2	2	90	90	70	70
0~250	5	5	75	80	70	70
0~300	5	5	65	80	70	60
0~400	5	5	50	70	60	60

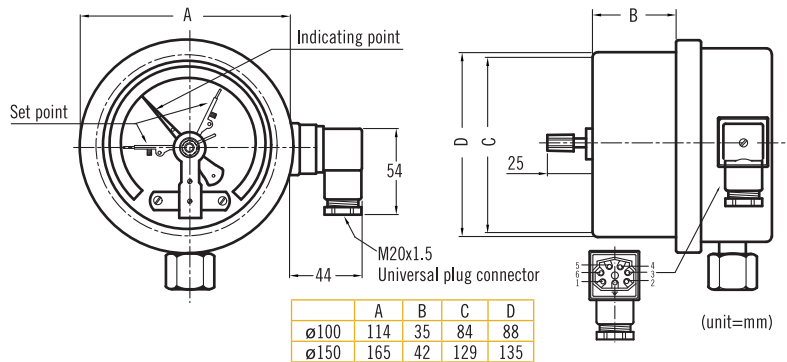
GAS FILLED TYPE		
Standard Scale Range (°C)	Minor Division (°C)	
	Ø100	Ø150
-200~+50	5	5
-200~+100	5	5
-200~+150	5	5
-200~+200	5	5
-100~+100	2	2
-100~+150	5	5
-100~+200	5	5
-50~+300	5	5
-50~+400	5	5
-50~+500	10	10
-50~+600	10	10
0~400	5	5
0~500	10	10
0~600	10	10

Minimum Stem Length		
mm	Ød	
Minimum length		270 200

OPTION.

1. Special range available upon request.
2. Special scale available upon request.
3. Special stem diameter and length available upon request.

Contact Type Limit Switch Assemblies



Limit Switch Contact Rating

CONTACT MODE	SL-SERIES SLIDING CONTACT				MS-SERIES MAGNETIC SNAP CONTACT			
	AC 220V	AC 110V	DC 200V	DC 100V	AC 220V	AC 110V	DC 200V	DC 100V
LOADING CURRENT	0.2A	0.4A	0.01A	0.02A	0.2A	0.4A	0.01A	0.02A

LIMIT SWITCH FUNCTION MODE

WIRE DRAWING	CONTACT FUNCTION	CONTACT TYPE
	SINGLE CONTACT	MAGNETIC SNAP-ACTION
	Contact ON When pointer clockwise reaches and passed set point.	MS1
	Contact OFF When pointer clockwise reaches and passed set point.	MS2
TWO CONTACTS		
	Common pole: 4 1st and 2nd contact ON When pointer clockwise reaches and passed each set point.	MS11
	Common pole: 4 1st contact ON 2nd contact OFF When pointer clockwise reaches and passed each set point.	MS12
	Common pole: 4 1st contact OFF 2nd contact ON When pointer clockwise reaches and passed each set point.	MS21
	Common pole: 4 1st and 2nd contact OFF When pointer clockwise reaches and passed each set point.	MS22
SPOT CONTACT		
	Common pole: 4 Connection 1 and 4: ON Connection 2 and 4: OFF When pointer clockwise reaches and passed set point meanwhile contacts change over at same set point.	MS3

Ordering Information

Model	SH4	SH6	SH4-QS(ø100)	SH6-QS(ø150)					
<div style="display: flex; flex-direction: column; justify-content: space-around; align-items: center;"> <div style="width: 10px; height: 100px; border-left: 1px solid black;"></div> <div style="width: 10px; height: 100px; border-left: 1px solid black;"></div> <div style="width: 10px; height: 100px; border-left: 1px solid black;"></div> <div style="width: 10px; height: 100px; border-left: 1px solid black;"></div> <div style="width: 10px; height: 100px; border-left: 1px solid black;"></div> <div style="width: 10px; height: 100px; border-left: 1px solid black;"></div> <div style="width: 10px; height: 100px; border-left: 1px solid black;"></div> <div style="width: 10px; height: 100px; border-left: 1px solid black;"></div> </div>	Code	Lens Material							
	G	Glass		S	Safety Glass				
	Code	Connection Type							
	A	Fixed Thread Type		C	Slide Thread Type		E	Non Thread Type	
	B	Rotary Thread Type		D	Female Thread Type		O	Option	
	Code	Stem Diameter							
		(1) ø6 (2) ø8 (3)ø10 (4)ø12							
	Code	Stem Length							
		Refer to table for range and stem, directly fill in request length (mm)							
	Code	Process Connection							
	(A) 3/8" NPT (B) 1/2" NPT (C) 1/4" NPT (D) 3/8"PF (E) 1/2"PF (F)1/4"PF (O) Option								
Code	Scale Range								
	Please refer to Scale Range table. Fill in the requested length.								
Code	Contact Type Limit Switch								
	Please refer to limit switch function mode, or (O) for without limit switch.								
								Complete ordering code	

Ordering information Sample:

Model	Lens Material	Connection Type	Stem Diameter	Stem Length	Process Connection	Scale Range	Contact Type Limit Switch
SH4-QS	S	A	ø6	100mm	B	0-100°C	SL1