

PLASTIC RELIEF VALVES

RS SERIES

Technical Data

Back pressure relief valves

Large flow rate

Material: Body-P.V.C, P.P, PVDF; Diaphragm membrane-Viton + Teflon Plate

Inlet pressure: maximum 1.035Mpa (150psi)

Adjustable range: 0.035~0.7Mpa (5~100 psi)

Working temp.: 60°C

Working fluid: Water corrosive liquid

Panel mounting available

Mounting type: Straightened on pipe line

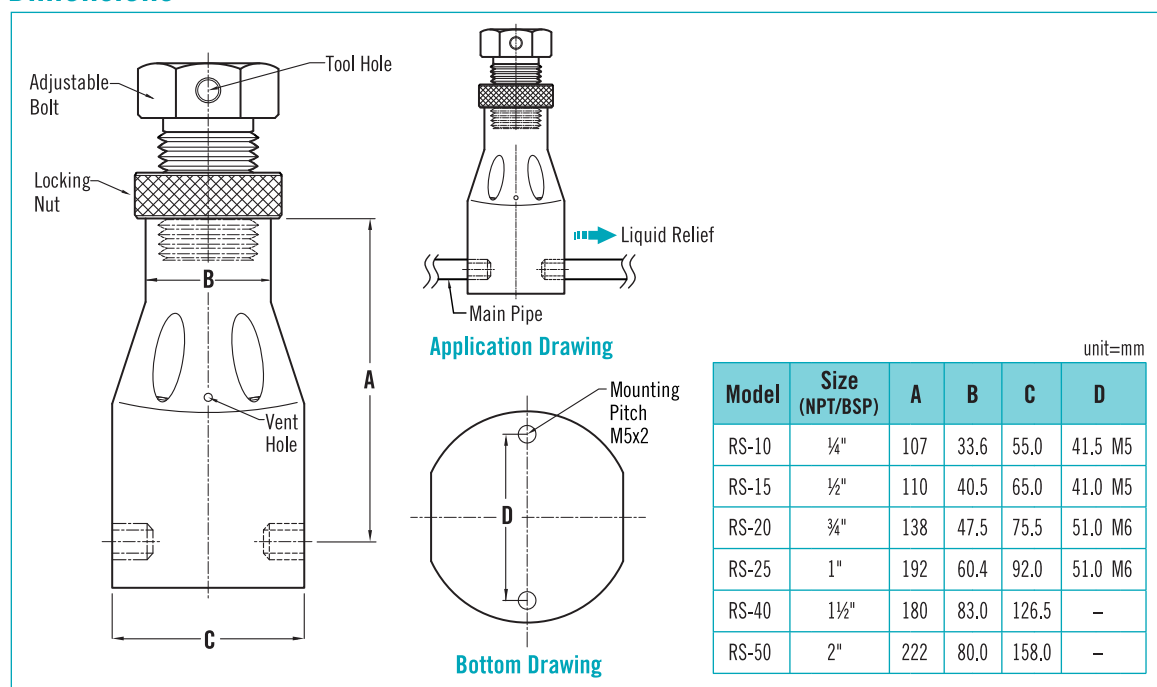
Type	Connection Size (Female)	CV
RS-10	¼"NPT	1.0
RS-15	½"NPT	2.0
RS-20	¾"NPT	2.5
RS-25	1"NPT	3.5
RS-40	1½"NPT	4.5
RS-50	2"NPT	5.5

*Option: BSP type available

Range Table

Code	Range
05R	5~50 PSI
50R	50~112 PSI

Dimensions



Ordering Information

RS	Code	Type & Connection Size
		(A) 10-¼"NPT (B) 15-½"NPT (C) 20-¾"NPT (D) 25-1"NPT (E) 40-1½"NPT (F) 50-2"NPT (G) option
		Code Pressure Range
	05R	5~50 PSI 50R 50~112 PSI
		Code Material
		(1) PVC (2) PP (3) PVDF
RS		Complete Ordering Code

