

# PRESSURE SWITCH EXPLOSION PROOF TYPE

## PS2200X

**CLASS I, GROUPS A, B, C, D;  
CLASS II, GROUPS E, F, G; NEMA 4X**  
Proof Pressure to 1000psi  
Adjustable Ranges: 0.05~9.8psi  
Temperature: -25 to 205°C

The New-Flow PS2200X, an explosion proof pressure switch, is designed to be used in control systems. PS2200X has high set point repeatability and narrow dead band features. A variety of range selections are available upon request. Easily adjusted to the set point, no special tools needed!

### Technical Data

**Switch Data:** one SPDT & two SPDT Microswitch, 15amps 125/250V, Gold Contact Microswitch 1A 125/250VAC

**Housing:** die cast aluminum alloy with paint

**Conduit Connection:** 3/4" or 1/2" NPT Female

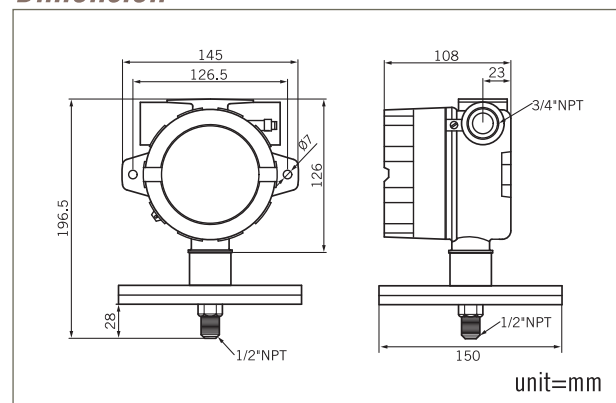
**Pressure Element:** welded type diaphragm

**Process Materials:** wetted parts are all in SS316

**Process Connection:** 1/2" or 1/4" NPT male



### Dimension



### Range Selection Table

Code	Adjustable Range	Dead Band	Maximum Pressure Proof
04R	0.05~1.8 psi	0.015~0.3	1000psi
10R	0.4~2.8 psi	0.2~0.5	1000psi
20R	0.4~5.0 psi	0.3~0.6	1000psi
30R	1.6~9.8 psi	0.3~0.8	1000psi

### Ordering Information

PS2200X	Code	Range								
		04R	0.05~1.8psi	10R	0.4~2.8psi	20R	0.4~5.0psi	30R	1.6~9.8psi	
		Code	Wetted Material							
		A	SS316							
		Code	Process Connection							
			(1) 1/2" NPT male (2) 1/4" NPT male							
		Code	Conduit Connection							
			(E) 3/4" NPT Female, standard (F) 1/2" NPT Female							
		Code	Switch Form							
		1	One SPDT							
		2	Two SPDT (one setting point)							
		3	Gold Contact (SPDT)							
PS2200X										Complete Ordering Code