

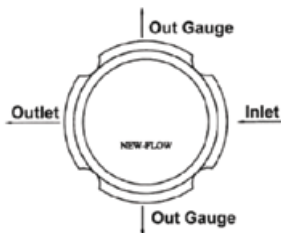
PRESSURE REDUCING REGULATOR

PRU400

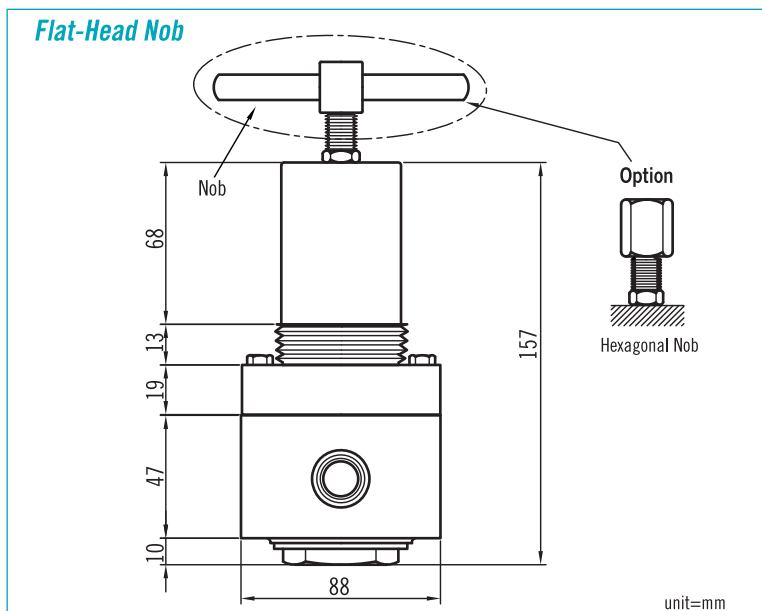
Technical Data

For using gases and liquids
Inlet pressure: 1.5 Mpa maximum
Adjustable outlet pressure in ranges: 0.05~0.5 Mpa (0.5~5 kg/cm²)
Operating temperature: -5 to 60°C
Diaphragm materials: Viton with PTFE lining
Body material: SS316
Seat material: PTFE
Handle wheel material: SS
Effective flow area: 13 mm
All ports are standard: ¾" & 1"NPT available
CV: 2.5

Standard Port Configuration



Dimensions



Ordering Information

| PRU400 | Code | Body & Nob material | | |
|--------|------|---------------------|--|------------------------|
| | 1 | 316 stainless steel | | |
| | | Code | Nob Type | |
| | | A | Flat-Head | |
| | | B | Hexagonal | |
| | | Code | Max. inlet pressure | |
| | | 1 | 1.5 Mpa (15 kg/cm ²) | |
| | | Code | Outlet pressure range | |
| | | 1 | 0.05~0.5 Mpa (0.5~5 kg/cm ²) | |
| PRU400 | | | | Complete Ordering Code |