

# PRESSURE REDUCING REGULATOR

## PRU350

### Technical Data

For using gases and liquids

Inlet pressure: 1.5 Mpa maximum

Adjustable outlet pressure in ranges: 0.01~0.2 Mpa (0.1~2 kg/cm<sup>2</sup>)

0.05~0.7 Mpa (0.5~7 kg/cm<sup>2</sup>)

Operating temperature: -5 to 60°C

Diaphragm materials: Viton with PTFE lining

Body material: SS316

Seat material: PTFE

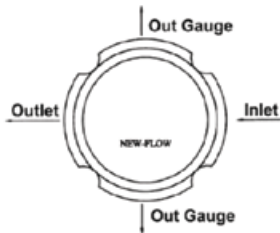
Handle wheel material: SS

Effective flow area: 8.0 mm

All ports are standard: 1/2" NPT female

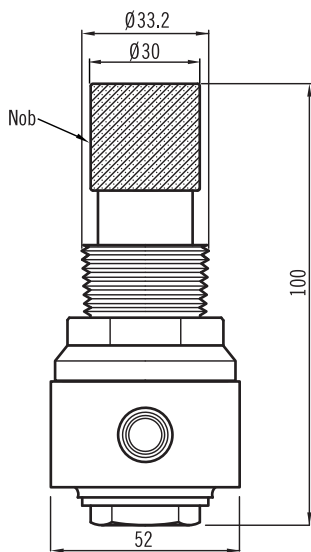
CV: 0.6

### Standard Port Configuration



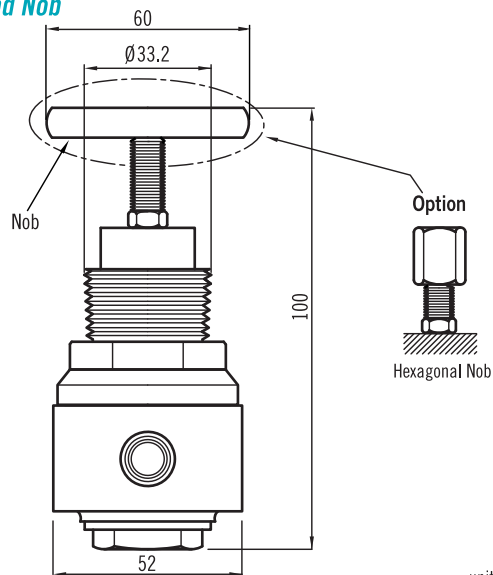
### Dimensions

#### Round Nob



unit=mm

#### Flat-Head Nob



unit=mm

### Ordering Information

PRU350	Code	Body & Nob material	
	1	316 stainless steel	
		Code	Nob Type
		A	Round
		B	Flat-Head
		C	Hexagonal
		Code	Max. inlet pressure
		1	1.5 Mpa (15 kg/cm <sup>2</sup> )
		Code	Outlet pressure range
		1	0.01~0.2 Mpa (0.1~2 kg/cm <sup>2</sup> )
		2	0.05~0.7 Mpa (0.5~7 kg/cm <sup>2</sup> )
PRU350			

Complete Ordering Code