

# PRESSURE REDUCING REGULATOR

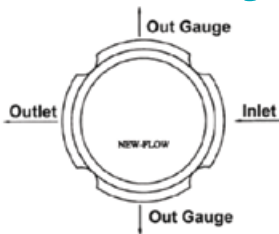
## PRU300

### Technical Data

For using gases and liquids  
**Inlet pressure:** 1.5 Mpa maximum  
**Adjustable outlet pressure in ranges:**  
 0.01~0.2 Mpa (0.1~2 kg/cm<sup>2</sup>)  
 0.05~0.7 Mpa (0.5~7 kg/cm<sup>2</sup>)  
**Operating temperature:** -5 to 60°C  
**Diaphragm materials:** Viton with PTFE lining  
**Body material:** SS316  
**Seat material:** PTFE  
**Handle wheel material:** SS  
**Effective flow area:** 4.0 mm  
**All ports are standard:** ¼" NPT female  
**CV:** 0.35

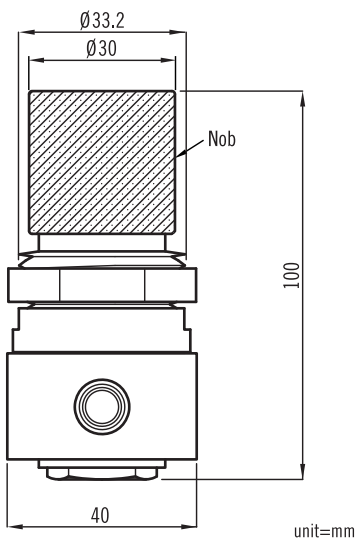


### Standard Port Configuration

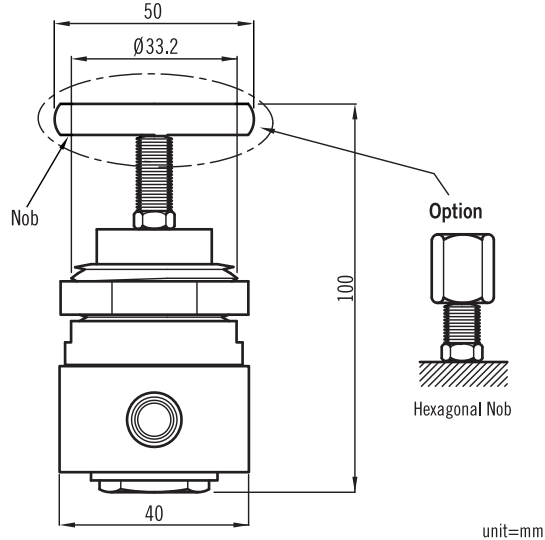


### Dimensions

#### Round Nob



#### Flat-Head Nob



### Ordering Information

PRU300	Code	Body & Nob material					
	1	316 stainless steel					
		Code	Nob Type				
		A	Round	B	Flat-Head	C	Hexagonal
			Code	Max. inlet pressure			
			1	1.5 Mpa (15 kg/cm <sup>2</sup> )			
			Code	Outlet pressure range			
			1	0.01~0.2 Mpa (0.1~2 kg/cm <sup>2</sup> )			
			2	0.05~0.7 Mpa (0.5~7 kg/cm <sup>2</sup> )			
PRU300							Complete Ordering Code