

PRESSURE REDUCING REGULATOR

PRU200

Technical Data

For using gas and liquid
Inlet pressure: 600, 3500 Psig limited available
Adjustable outlet pressure in ranges: 150, 250, 500 Psig
Operating temperature: -40 to 175°C
Diaphragm materials: 316L stainless steel
Body material: SS316
Seat material: PTFE, PFA available
Cv flow coefficients: 1.0
All ports are standard: 1/2" NPT female
Use no oil: available

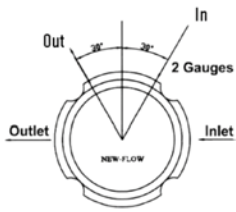


Plastic Nob

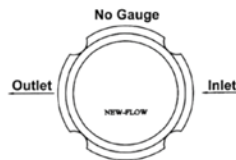


Metal Nob

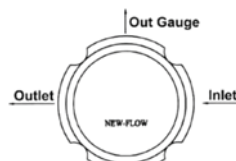
Standard Port Configuration



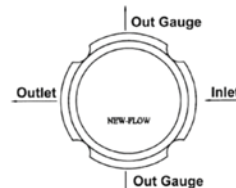
A



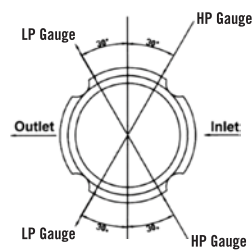
B



C

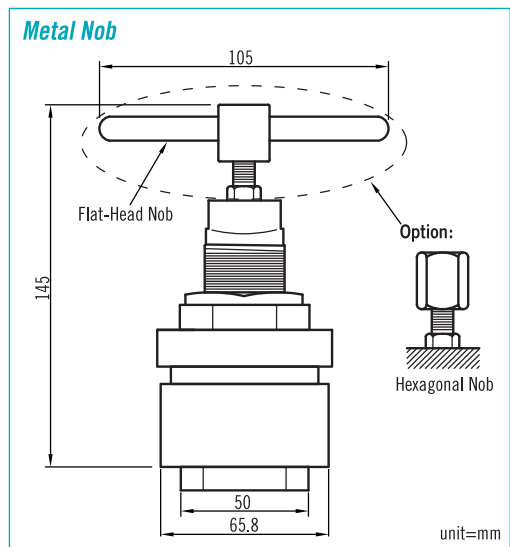
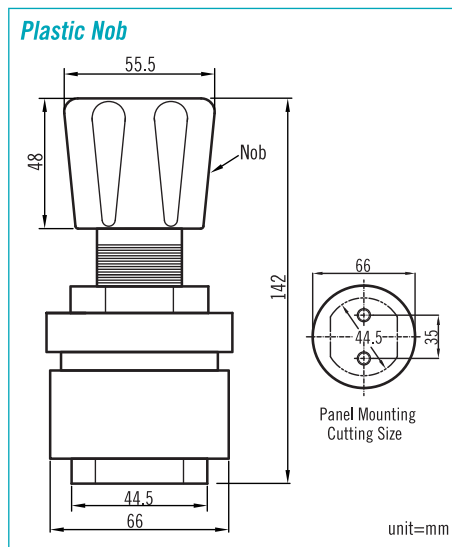


D



E

Dimensions



Ordering Information

| PRU200 | Code | Body material |
|--------|------|---------------------------------------|
| | 1 | 316 stainless steel |
| | | Code Nob Material |
| | A | Plastic |
| | B | Metal(Flat-Head) |
| | C | Metal(Hexagonal) |
| | | Code Max. inlet pressure |
| | 1 | 600 Psig |
| | 2 | 3500 Psig |
| | | Code Outlet pressure range |
| | 1 | 2-150 Psig |
| | 2 | 3-250 Psig |
| | 3 | 5-500 Psig |
| | | Code Seat material |
| | A | Teflon (Max. inlet pressure 600 Psig) |
| | B | PFA (Max. inlet pressure 3500 Psig) |
| | | Code Port Configuration |
| | | A B C D E |
| PRU200 | | Complete Ordering Code |