

***Thank you for choosing a NIVELCO instrument.  
We are sure that you will be satisfied throughout its use!***

## 1. APPLICATION

The **NIVOPOINT MZ** magnetic float level switches are operating according to the interaction of the reed-switch incorporated in the probe and the magnet in the float. The level switch has a single reed switch. The **NIVOPOINT MZ** level switches are suitable for low or high level switching tasks of liquids.

## 2. TECHNICAL DATA

TYPE	MZS-101-3, MZS-102-3
Insertion length	100 ... 200 mm
Material of wetted parts	1.4571 stainless steel
Medium pressure	max. 2.5 MPa (25 bar)
Medium density	min. 0.7 kg/dm <sup>3</sup>
Medium temperature	-40° ... +120 °C
Ambient temperature	-20° .... +70 °C
Output	1 reed switch NO/NC
Switch rating	120 W / VA 250 V AC / DC max. 3 A
Switching point (L <sub>k</sub> )	40 mm ± 3 mm from the bottom of the probe
Nominal float size	∅ 52 mm x 59 mm
Electrical connection	500 mm length 2 x 0.75 mm <sup>2</sup> silicone insulated cable (outer diameter: ∅ 5 mm), other cable length are available on request
Process connection	BSP ¼" outer thread
Electrical protection	Class II.
Ingress protection	IP 68
Mass	0.15 kg

### 2.1 ACCESSORIES

- User's manual
- Warranty Card
- Declaration of conformity

# NIVOPOINT

MZ  
MAGNETIC FLOAT LEVEL SWITCH

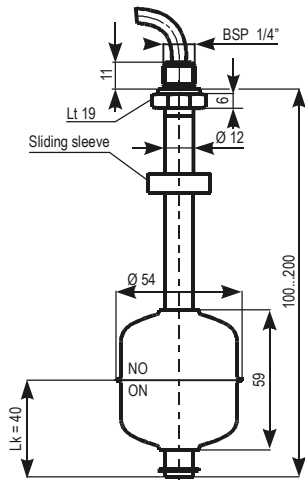
USER'S MANUAL



NIVELCO

CE

## 2.2 DIMENSIONS



## 2.3. ORDER CODE

NIVOPOINT M Z S - 1 0  - 3

INSERTION LENGTH	CODE
0.1 m	1
0.2 m	2

## 3. INSTALLATION

The unit has integrated 2-wire cable. The unit has a BSP 1/4" outer thread process connection. The level switch can be installed from the inner side of the tank.

The minimal diameter of the hole should be  $\varnothing 55$  mm where the float can pass through.

## 4. WIRING

The default normally closed (NC) or normally open (NO) state of the reed-switch can be modified by inverting the float. The NO/NC switching mode is marked on the float. When the instrument is installed the correctly readable sign marks the operation mode of the switch.

## 5. MAINTENANCE, REPAIR

The unit does not require routine maintenance, however the probe may need occasional cleaning to remove surface deposits. Repairs will be performed at Manufacturer's premises. Units returned for repair should be cleaned or disinfected by the customer.

## 6. STORAGE CONDITIONS

Ambient temperature:  $-20^{\circ}\text{C} \dots +60^{\circ}\text{C}$

## 7. WARRANTY

NIVELCO provides warranty of 3 (three) years in compliance with details described in the Warranty Card.

mzs1010a0600h\_03  
2006. September

NIVELCO reserves the right to change technical specifications without notice.