

PLASTIC FLOW METER

MBC SERIES

Technical Data

Service: gas & liquid

Wetted parts material: Body- Polycarbonate (PC)
O-ring- Viton (standard)
Float- SS316, POM Plastic

Valve material: SS316

Connection material: SS316

Connection size: 1/8"NPT female

Pressure limit: 150 psig(10bar) @ 100°F(38°C)

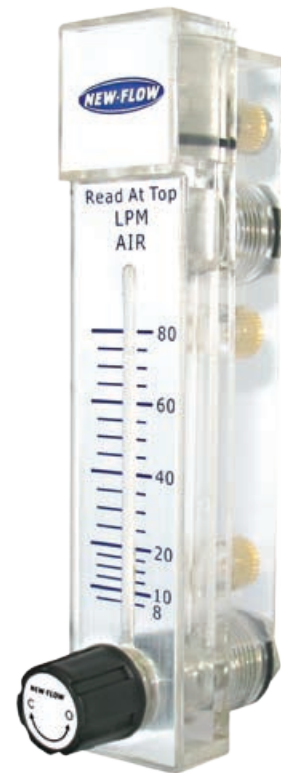
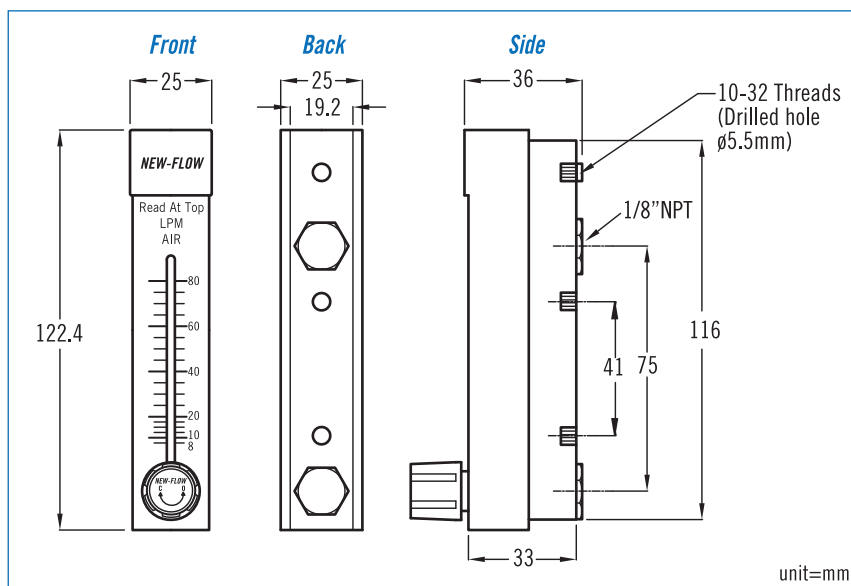
Temperature limit: -10°C~+60°C

Accuracy: 3% full scale

Mounting: vertical position

Weight: 75 g

Dimensions



WWW.NEW-FLOW.COM • TEL: 886-7-8135500 • FAX: 886-7-8225588 • Email: info@new-flow.com

Range Table & Ordering Information

Fluid Type: Air

| Item | Flow Range | Float Material | Flow Unit | Needle Valve | Ordering Code |
|------|------------|----------------|-------------------------------|--------------|------------------|
| 1 | 0.4~4 | SS316 | LPM, Normal Litter per Minute | with | MBC-V-S-A-4-LM |
| 2 | 0.6~6 | SS316 | LPM, Normal Litter per Minute | with | MBC-V-S-A-6-LM |
| 3 | 0.2~2 | POM | LPM, Normal Litter per Minute | with | MBC-V-P-A-2-LM |
| 4 | 2.5~25 | SS316 | LPM, Normal Litter per Minute | with | MBC-V-S-A-25-LM |
| 5 | 1~10 | POM | LPM, Normal Litter per Minute | with | MBC-V-P-A-10-LM |
| 6 | 4~40 | SS316 | LPM, Normal Litter per Minute | with | MBC-V-S-A-40-LM |
| 7 | 1.5~15 | POM | LPM, Normal Litter per Minute | with | MBC-V-P-A-15-LM |
| 8 | 7~70 | SS316 | LPM, Normal Litter per Minute | with | MBC-V-S-A-70-LM |
| 9 | 2.5~25 | POM | LPM, Normal Litter per Minute | with | MBC-V-P-A-25-LM |
| 10 | 8~80 | SS316 | LPM, Normal Litter per Minute | with | MBC-V-S-A-80-LM |
| 11 | 3~30 | POM | LPM, Normal Litter per Minute | with | MBC-V-P-A-30-LM |
| 12 | 10~100 | SS316 | LPM, Normal Litter per Minute | with | MBC-V-S-A-100-LM |
| 13 | 4~40 | POM | LPM, Normal Litter per Minute | with | MBC-V-P-A-40-LM |