

POLYCARBONATE PLASTIC FLOW METER

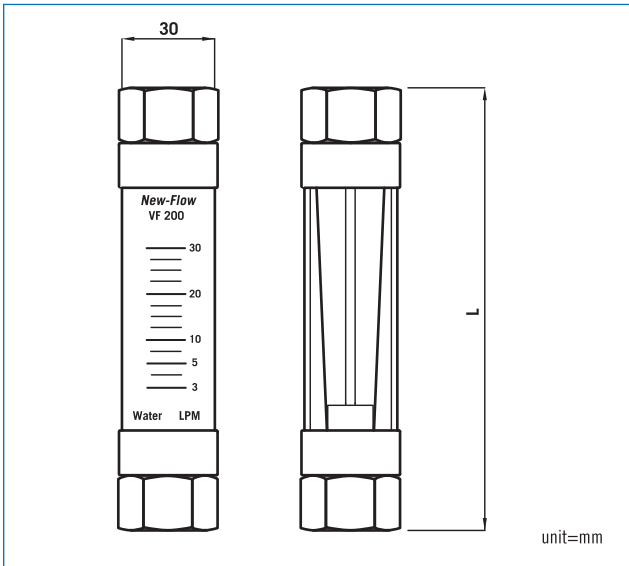
VF200 *with alarm switch type*
without alarm switch type

Technical Data

- Service:** Water, Air
- Wetted parts material:** Body-Polycarbonate (P.C) Plastic O-ring-Viton, Float-magnet coating with polypropylene (P.P)
- Connection material:** SS316; Plastic (P.P, P.V.C, PVDF)
- Connection size:** 3/8", 1/2", 3/4" NPT female available
- Mounting:** vertical position
- Temperature & pressure limits:** 300 psig(20bar) @ 100°F(38°C)
- Temperature limit:** -10°C~+60°C
- Accuracy:** ±5% full scale
- Alarm switch:** one setting point, form A N.O. type bistable switch
- Switch rating:** AC 125V 0.5A / DC 100V 10W / Max. DC 250V<1mA
- Weight:** approach 0.35 kg
 (Contact setting point should be within 10% to 80% of FS)



Dimensions



Flow Direction Types



Ordering Information

VF200	Code	Flow Range				
	A	Water				
	LPH	(1) 6~60 (2) 12~120 (3) 25~200 (4) 40~300				
	LPM	(5) 0.1~1 (6) 0.2~2 (7) 0.6~5 (8) 0.5~3 (9) 1~10				
	B	Air				
	LPM	(10) 6~30 (11) 10~60 (12) 10~100 (13) 15~150				
		(14) 30~300				
	Code	Alarm Switch				
	1R	One setting point				
	0	Without alarm				
Code	Connection Material					
	(1) SS316 (2) P.P (3) P.V.C (4) PVDF					
Code	Process Connection in Female					
A	3/8"NPT (L=150mm)					
B	1/2"NPT (L=150mm)					
C	3/4"NPT (L=162mm) (switch type not available)					
Code	Flow Direction					
BT	Bottom to Top					
VF200						Complete ordering code