

MASS FLOW METERS

With or Without LCD Display

TMF SERIES

- ±1% Accuracy
- Linear Output
- Thermal Technology
- For Using in Non Corrosive Gas
- For Flow Rates up to 200 SLM
- Power Supply Included

The NEW-FLOW Thermal Mass Flow Meters provide high performance. Thermal Technology offers advantages in accuracy, sensitivity and turn quality components and the latest technology are combined to provide reliable, compact meters and controllers. The TMF Series comes with or without an LCD display, and all models come with linear 0-5 VDC and 4-20 mA output. The TMF Series measures the mass flow rate of gases in 3 ranges from 0-100 SLM to 0-200 SLM as shown in the range table.

Technical Data

- Wetted Material:** Standard flowbody- 316 Stainless Steel, Option available. O-ring- Viton.
- Output Signal:** 0-5 VDC Linear min. load 1000Ω or 4-20 mA Linear, loop resistance 500Ω
- Input Power:** 24 VDC Standard, optional power supply 15 VDC 115 VAC, 220 VAC @500mA
- Accuracy:** +/- 1% F.S (including Linearity)
- Turn Down Ratio:** 100:1
- Repeatability:** +/- 0.15% F.S or better
- Electric Connection:** 9 Pin Sub "D"
- Process Connection:** 1/2" NPT Female
- Range:** 0-100 SLM to 0-200 SLM
- Minimum Pressure:** 100" H₂O
- Max Pressure:** 500 PSIG
- Temperature Range:** 0~50°C
- Response Time:** 1 Second
- Temp. Coefficient:** 0.05% Full scale per 1°C or better
- Pressure Coefficient:** 0.01% full scale per PSIG or better
- Weight:** app. to 1.64 kg with power supply

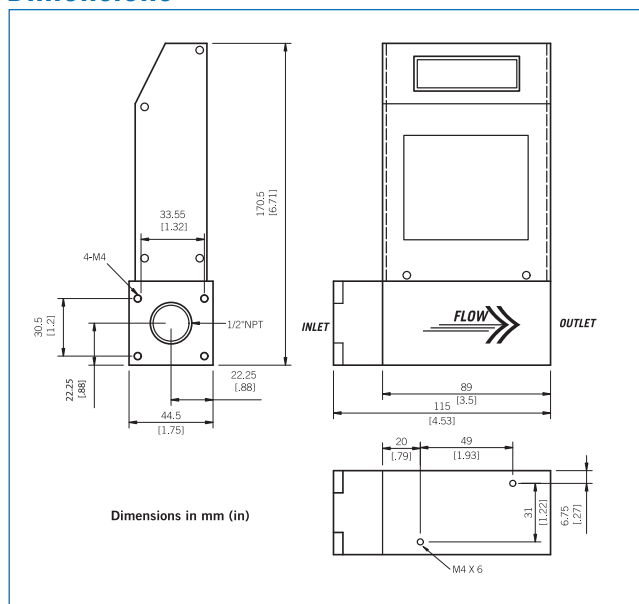
Range Table

Code	SLM
00	0-100
01	0-150
02	0-200
03	*Custom Flow Rate

Note. *Please notice that the max. flow range is 200 SLM.



Dimensions



Ordering Information

TMF	Code	Flow Range						
	00	0-100 SLM	01	0-150 SLM	02	0-200 SLM		
	03	*Custom size (please directly fill in the requested range.)						
	Code	Wetted Material						
		(A) SS316 (O) Option						
	Code	Process Connection						
	1	1/2" NPT (F)						
	Code	Display						
	W	With display	0	Without display				
	Code	Output Signal						
		(1) 0-5VDC (2) 4-20 mA						
	Code	Input Power						
		(1) 24VDC (2) 15VDC						
	Code	Power Supply for 24vdc						
		(1) with (2) without						
TMF								