

HORIZONTAL MAGNETIC LEVEL SWITCH

LR SERIES

The LR Series of float-operated level switch. Suitable for control the liquid level with horizontal mounting. The float extension arm moves a magnet which actuated reed switch offer an open or dosed contact upon request by user.

Technical Data

General Purpose, IP65
Explosion Proof – EExdIICT6
Chemical Duty
Sp. Gr.: Minimum 0.6
Screwed Mounting
Connection: 1/2", 3/4" or 1" NPT male available
Max. Pressure: 10 kg/cm²
Max. Temperature: -10~120°C
Float Material: SS316
Wetted Part Material: SS316



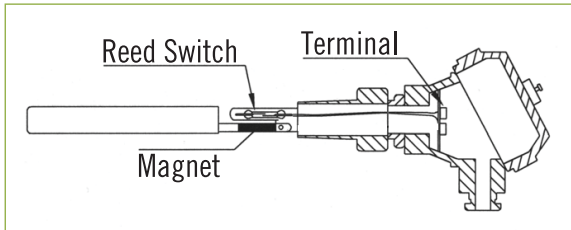
LR-201W



LR-201X



LR-201

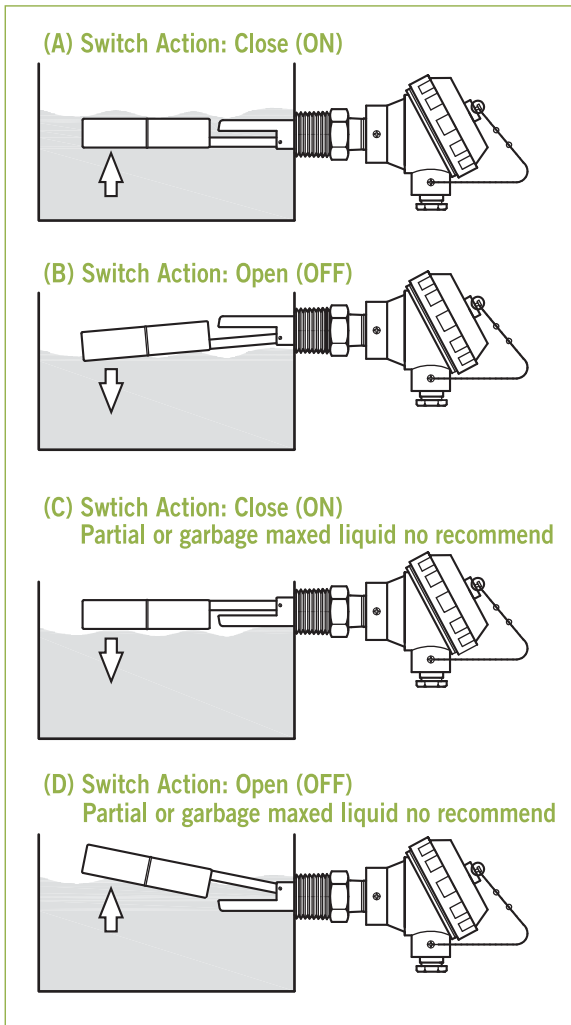


Switch Table

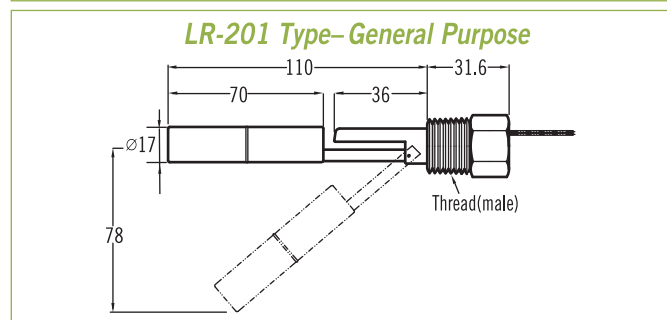
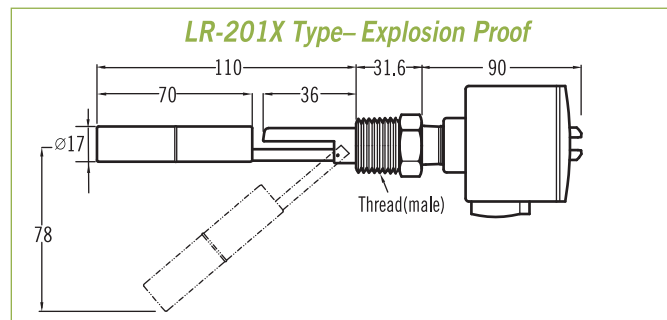
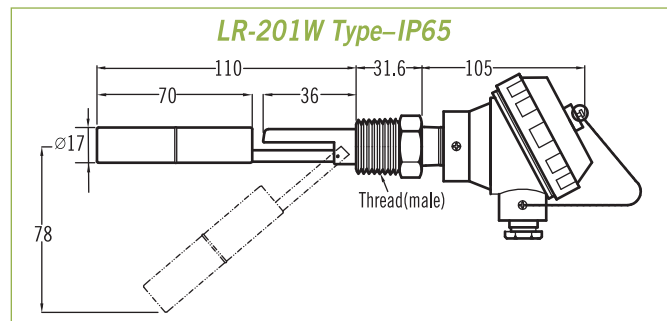
Contact Form	A (SPST)	C (SPDT)
Switching Capacity Max.	40 W/VA	60 W/VA
Switching Voltage Max.	230V AC/DC	230V AC/DC
Switching Current Max.	2A	1A
Carrying Current Max.	3A	2A

*Special rate available on request.

Float Level Switch Action Mode



Dimension-mm



Ordering Information

LR	Code	Model						
↓	↓	201W (IP65)						
		201X (Explosion Proof EExdIICT6)						
		201 (General Purpose)						
	↓	Code	Contact Form					
			(1) A Type (2) C Type					
	↓	Code	Float Material					
S		SS316						
↓	Code	Connection Size						
		(1) ½" (2) ¾" (3) 1"						
↓	Code	Conduit Size						
		(1) ½" (2) ¾"						
<table border="1" style="width: 100%; border-collapse: collapse;"> <tr> <td style="width: 15%; height: 20px;"></td> <td style="width: 15%; height: 20px;"></td> <td style="width: 15%; height: 20px;"></td> <td style="width: 15%; height: 20px;"></td> <td style="width: 15%; height: 20px;"></td> <td style="width: 15%; height: 20px;"></td> </tr> </table>								
Complete Ordering Code								