

FLANGE TYPE DIAPHRAGM SEAL

DT128

DT-128 diaphragm seal is designed to be used in highly viscous process media such as pulp, paper, waste water treatment and plastics and chemical process industries. It is easy to assemble with pressure gauges, pressure switches, and pressure instruments.

Technical Data

Instrument connection: female thread 1/4" to 1/2" BSP or NPT

Process connection: 2" to 4" flange, JIS, ANSI, DIN, available

Temperature limited: -40~+150°C cooling element or capillary line up to 350°C

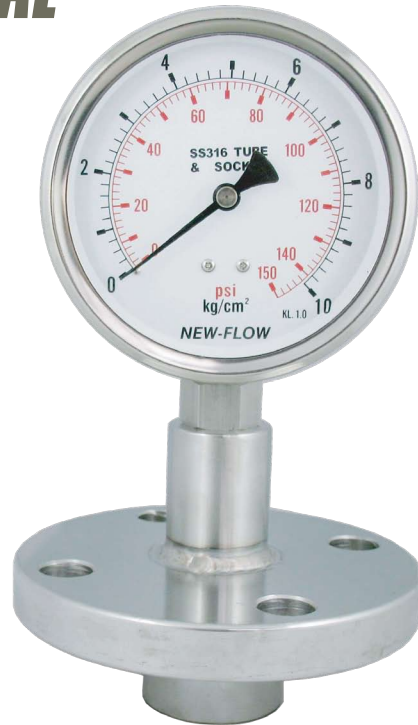
Pressure range limited: measurement range

Size	2"	3"	4"
MINIMUM LIMITED (kg/cm ²)	-1~+1.5	-760mmHg~0 -1~1.5	0~0.6
MAXIMUM LIMITED (kg/cm ²)	0~60	0~60	0~40

Material: body-SS316(standard), others on request

Membrane: SS316L(standard)

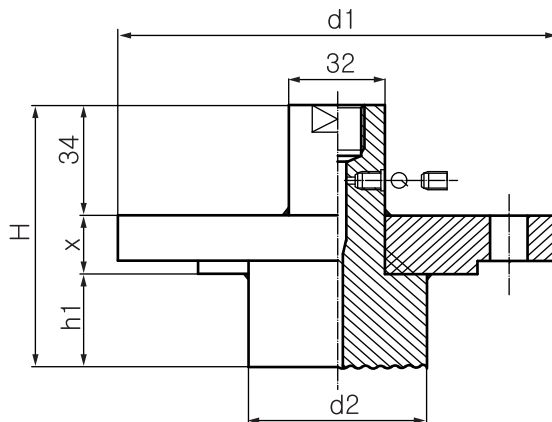
Option: Hastelloy C276, tantalum and others on request



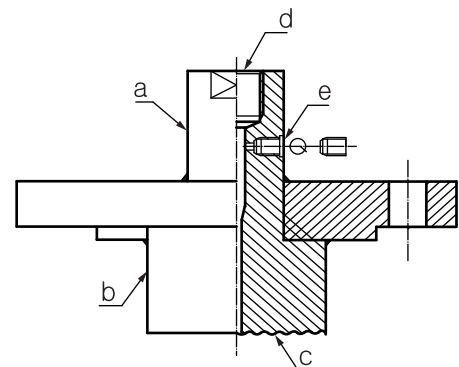
Dimensions

Item	Description of Parts
a	Upper housing
b	Extension housing
c	Membrane
d	Instrument connection
e	Filling port

NOTE
Performance Technical Data are effective with date of issue and are subject to change without prior notice.



unit=mm



* d1,H,x,h1 dimensional size upon request specification.

Ordering Information

DT128	Code	Instrument Connection (Female)
		(A) 1/4"BSP (B) 1/4"NPT (C) 3/8"BSP (D) 3/8"NPT (E) 1/2"BSP (F) 1/2"NPT
		Code Process connection rating
		(1) 2" (2) 3" (3) 4" (4) Option
		Code Flange rating
		(1) 150# (2) 300# (3) PN16 (4) PN25 (5) JIS 10K (6) JIS 20K (7) Option
		Code Housing material
		(S) SS316(standard) (H) Hastelloy C276
		Code Membrane Material
		(1) SS316L (2) Hastelloy C276 (3) Tantalum (4) Option
DT128		Complete ordering code