

PLASTIC FLANGE TYPE DIAPHRAGM SEAL

DT118

Application

DT118 diaphragm seal is made with material including, special plastic to provide to against the acid fluid for application in customers device. Its easy to assemble with pressure gauges, pressure switches and pressure transducers.

Technical Data

Instrument connection: Female thread ¼" to ½" BSP or NPT

Membrane size: Ø55, Ø75

Process connection: ½" to 2" Flange type, JIS, ANSI, DIN available

Measurement range: -760mmH₂O ~ 0 ~ 10 kg/cm² (Ø75 Membrane)
0 ~ 25 kg/cm² (Ø55 Membrane)

Max. temperature: Up to 120°C

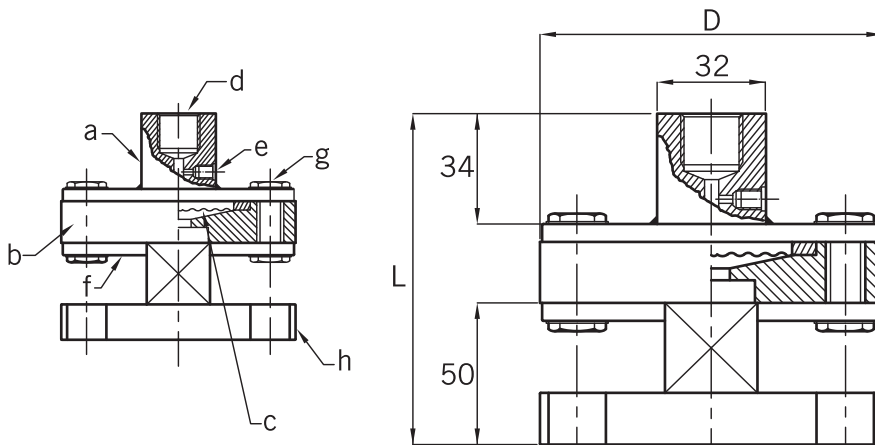
Material: Upper housing - SS316 (standard); Low housing - P.V.C, P.P, PVDF, Teflon available

Membrane material: SS316L+Teflon lining (standard); Options - Hastelloy C276, Titanium, Tantalum and others on request.



Dimensions

Item	Description of Parts
a	Upper housing
b	Low housing
c	Membrane
d	Instrument connection
e	Filling port
f	Supporting ring
g	Screw bolt
h	Flange



Membrane size		
Ø	55	75
D	80	100

*L: According to the flange rating.

Ordering Information

DT118	Code	Instrument Connection Size
		(A) ¼" (B) ⅜" (C) ½"
		Code Instrument Connection Rating
		(1) NPT (2) BSP
		Code Upper Housing Material
		(S) SS316 (O) Option
		Code Low Housing Material
		(V) PVC (P) P.P (T) Teflon (PV) PVDF
		Code Membrane Material
		(H) Hastelloy C (Ti) Titanium (Ta) Tantalum (Tf) SS316 + Teflon lining (O) Option
		Code Process Connection Size
		(A) ½" (B) ¾" (C) 1" (D) 1½" (E) 2" (O) option
		Code Process Connection Thread
		(A) JIS 10K (B) ANSI 150# (C) DN16 (O) option
DT118		Complete ordering code