

THREAD TYPE DIAPHRAGM SEAL

DT108

DT108 diaphragm seal is designed low cost type to be used in highly viscous process media such as pulp, paper, waste water treatment, and plastic/chemical process industries. DT108 is easy to assemble with pressure gauges, pressure switches, and pressure instruments.

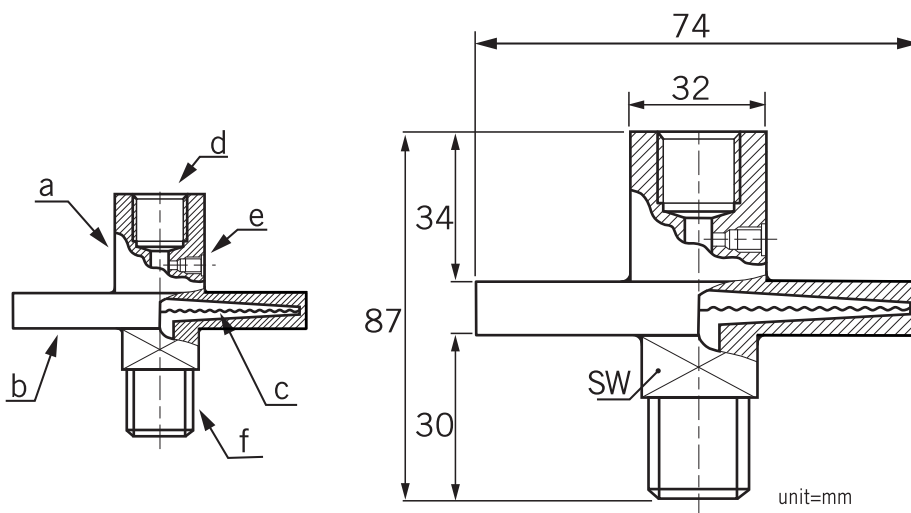
Technical Data

- Instrument connection:** female thread ¼" to ½" BSP or NPT
- Process connection:** ¼" to ½" Thread BSP or NPT
- Temperature limited:** -40~+150°C cooling element or capillary line up to 350°C
- Pressure range limited:** Maximum up to 40 kg/cm²
Minimum -760 mmHg ~0, 0~0.6 kg/cm²
- Material:** Upper & Lower housing-SS316 (standard), others on request
- Membrane:** SS316L (standard); Options- Hastelloy C276, tantalum, and others on request.



Dimensions

Item	Description of Parts
a	Upper housing
b	Lower housing
c	Membrane
d	Instrument connection
e	Filling port
f	Process connection



Ordering Information

DT108	Code	Instrument Connection (Female)
		(A) ¼" BSP (B) ¼" NPT (C) ⅜" BSP (D) ⅜" NPT (E) ½" BSP (F) ½" NPT
		Code Process connection rating
		(1) ¼" BSP (2) ¼" NPT (3) ⅜" BSP (4) ⅜" NPT (5) ½" BSP (6) ½" NPT (7) Option
		Code Thread
		(M) Male (F) Female
		Code Upper housing material
		(S) SS316(standard) (0) Option
		Code Lower housing material
		(S) SS316(standard) (0) Option
		Code Membrane material
		(1) SS316L (2) Hastelloy C276 (3) Tantalum (4) Option

DT108								Complete ordering code
-------	--	--	--	--	--	--	--	------------------------