

THREAD TYPE DIAPHRAGM SEAL

DT107

DT-107 diaphragm seal is designed low cost type to be used in highly viscous process media such as pulp, waste water treatment and plastics and chemical process industries. It is easy to assemble with pressure gauges, pressure switches, and pressure instruments.

Technical Data

Instrument connection: female thread 1/4" to 1/2" BSP or NPT

Process connection: 1/4" to 1/2" Thread BSP or NPT

Temperature limited: -40~+150°C cooling element or capillary line up to 350°C

Pressure range limited: Maximum up to 40 kg/cm²
Minimum 0~4 kg/cm², option 0~60 kg/cm²

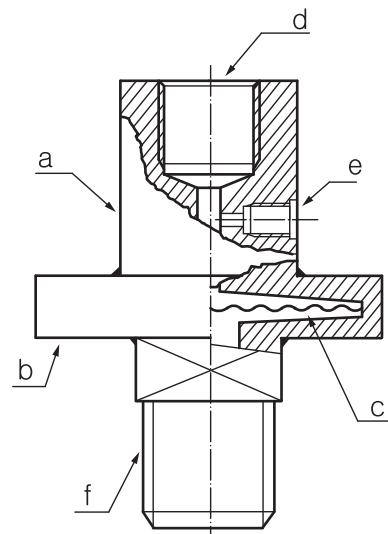
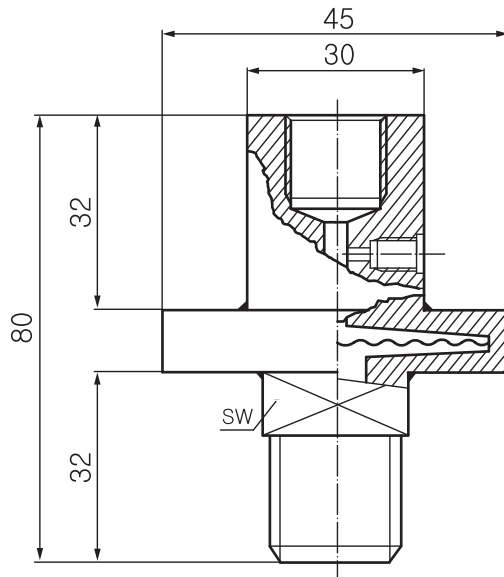
Material: upper & lower housing SS316(standard), others on request

Membrane: SS316L(standard), Hastelloy C276, tantalum and others on request



Dimensions

Item	Description of Parts
a	Upper housing
b	Lower housing
c	Membrane
d	Instrument connection
e	Filling port
f	Process connection



unit=mm

NOTE
Performance Technical Data are effective with date of issue and are subject to change without prior notice.

Ordering Information

DT107	Code	Instrument Connection (Female)
		(A) 1/4"BSP (B) 1/4"NPT (C) 3/8"BSP (D) 3/8"NPT (E) 1/2"BSP (F) 1/2"NPT
		Code Process connection (Male)
		(1) 1/4" BSP (2) 1/4" NPT (3) 3/8"BSP (4) 3/8"NPT (5) 1/2"BSP (6) 1/2"NPT (7) Option
		Code Upper housing material
		(S) SS316(standard) (0) Option
		Code Lower housing material
		(S) SS316(standard) (0) Option
		Code Membrane material
		(1) SS316L (2) Hastelloy C276 (3) Tantalum (4) Option
DT107		Complete ordering code