

CAPACITIVE LEVEL SWITCH

CPLS1000

Proof Housing: IP65
Explosion Proof: EExd IIC-T6
No Moving Parts
Easy Installation

The New-Flow CPLS1000 is used for measuring process vessel at the specific one point for using level alarms or for interlocking level control system.

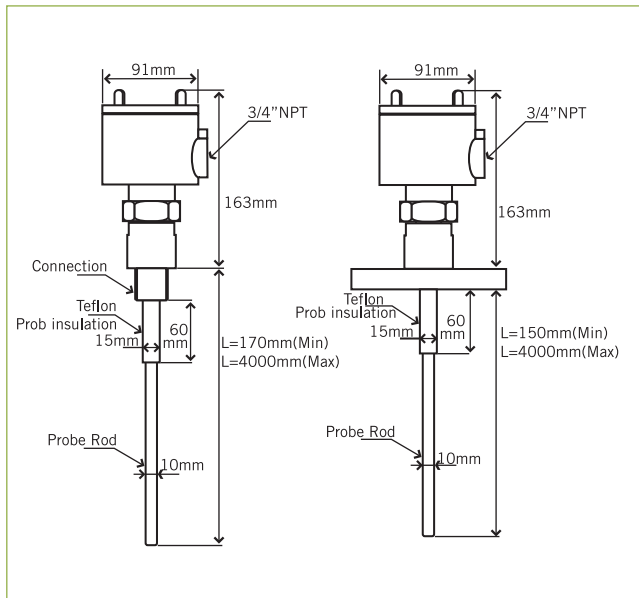
The New-Flow CPLS1000 has the ability to detect and measure both conductive and non-conductive media. CPLS1000 can be used in many industries for a wide range of applications such as water, oils, and a variety of corrosive materials.

Technical Data

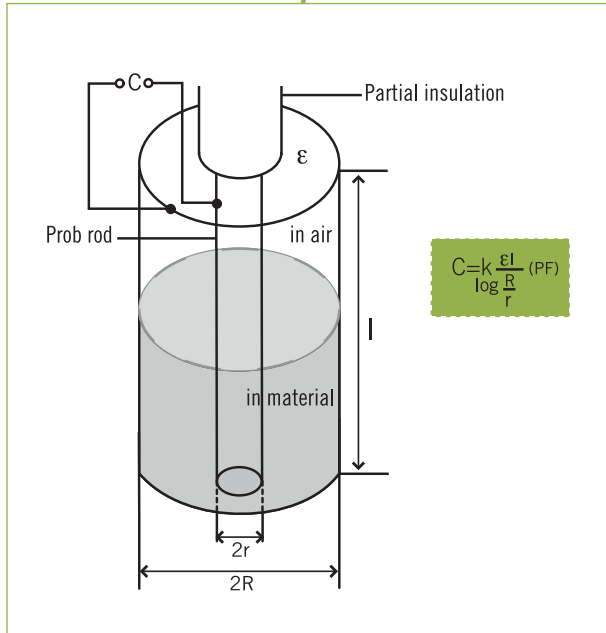
Housing: Aluminum Alloy, IP65, Explosion proof
Probe Insulation: PTFE
Rode Probe: SS316, Hastelloy C276, Ni-200, PFA lining
Working Temperature Limit: -20°C ~ +120°C
Working Pressure Limit: 20 Kg/cm²
Process Connection: 1"NPT of thread, or Flange
Flange Connection: 1"~ 3", or consult to manufacturer
Operating Sensibility: 4 pf (adjustable)
Power Supply: 110VAC, 220VAC, 24VDC
Contact Form: SPDT
Contact Rating: NO/NC 10A/5A 120VAC
 NO/NC 7A/5A 240VAC



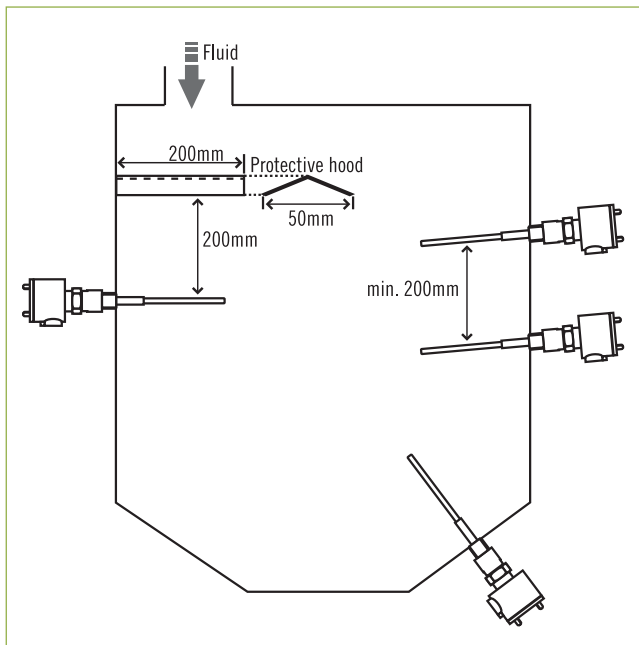
Dimensions



Measurement Principle



Installation Instruction



Ordering Information

CPLS1000	Code	Style							
	S	Standard (Max. Temp. 120°C)							
	H	With FIN (Max. Temp. 150°C)							
	Code	Connection Size							
		(1) 1" (2) 1½" (3) 2" (4) 3" (5) option							
	Code	Connect Rating							
		Thread (A) NPT (B) BSP							
		Flange (C) JIS 10K (D) JIS 20K (E) ANSI 150# (F) ANSI 300# (G) PN16 (H) PN25 (O) Option							
	Code	Wetted part material							
	A	SS316, standard							
	B	Hastelloy C276							
	C	Ni-200							
	D	other							
	Code	Conduit Size							
	1	¾" NPT							
Code	PFA lining								
Y	With PFA lining								
N	Without PFA lining								
Code	Insertion length	Please fill out the requested length in the ordering code.							
Code	Power supply								
A	110VAC								
B	220VAC								
C	24VDC								
CPLS1000									Complete Ordering Code