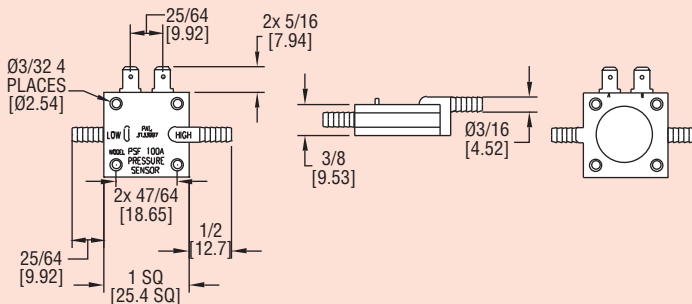




Series
MDS

Miniature Pressure Switch

Shock and Vibration Resistant, Lightweight and Compact, Gold Contacts



The **Series MDS Pressure Switch** is designed with a double diaphragm to protect false actuation due to shock and vibration. This low cost pressure switch has a minimum 20 million cycle life expectancy, and an extremely fast response time, making this an ideal device for OEM orders.

SPECIFICATIONS

Switch Type: SPST normally open.

Switching Media: Air or compatible fluids on "high" side.

Pressure Limits: Set point <3.0 in w.c.: 8 psi; Set point >3.0 in w.c.: 15 psi.

Current Rating: Gold contact switch providing maximum 40 mA resistive load allowing for life in excess of 20 million cycles.

Temperature Limits: 40 to 150°F (4 to 66°C).

Electrical Connections: Brass tab-type for use with quick disconnections.

Pressure Connections: Two barbed ports for use with 1/8"-3/16" ID tubing.

Housing: Polycarbonate.

Diaphragm Material: Polyurethane.

Weight: Less than 0.353 oz (10 g).

Agency Approval: UL.

Model	Set Point	Model	Set Point
MDS-0	0.5 in w.c.	MDS-7	8.0 in w.c.
MDS-1	1.0 in w.c.	MDS-8	10.0 in w.c.
MDS-2	1.5 in w.c.	MDS-10	15.0 in w.c.
MDS-3	2.0 in w.c.	MDS-12	30.0 in w.c.
MDS-4	3.0 in w.c.	MDS-14	50.0 in w.c.
MDS-6	6.0 in w.c.		