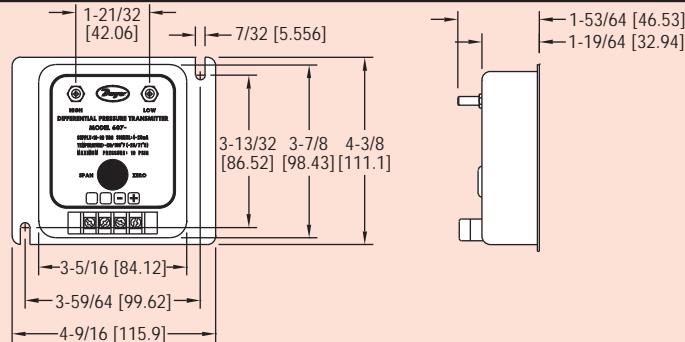




Series
607

Low Range Differential Pressure Transmitter

±0.25% or ± 0.5% F.S. Accuracy, Ranges from 0-0.1" w.c.



Series 607 Differential Pressure Transmitter combines very low ranges with exceptional stability, reliability and either ±0.25% or ±0.5% accuracy for the most demanding applications. Ranges from 0-0.1 to 0-25" w.c. Ultra thin glass clad silicon diaphragm design resists shock and vibration, practically eliminates drift. Certification to NIST standards is included with each unit. Tough stainless steel housing is NEMA-2 rated to protect against moisture and dirt. Use with air and other compatible gases.

Model	Range (in w.c.)	Model	Range (in w.c.)
607-0	0-.10	607-71*	0-5.0
607-01*	0-.10	607-8	0-10
607-1	0-.25	607-0B	.10-0-.10
607-11*	0-.25	607-1B	.25-0-.25
607-2	0-.50	607-2B	.50-0-.50
607-21*	0-.50	607-9	0-25
607-3	0-1.0	607-3B	1.0-0-1.0
607-4	0-2.0	607-4B	2.0-0-2.0
607-7	0-5.0	607-7B	5.0-0-5.0

* Models have a ±0.25% F.S. accuracy.

SPECIFICATIONS

Service: Air and nonconductive, noncorrosive gases.

Wetted Materials: Contact factory.

Accuracy: ±0.5% or ±0.25% F.S.

Stability: ±0.5% F.S.O./yr.

Temperature Limits: -20 to 160°F (-29 to 71°C), 10 to 95% RH.

Pressure Limits: 10 psig (0.69 bar).

Compensated Temp. Range: 35 to 135°F (2 to 57°C).

Thermal Effects: ±0.015% FS/°F (zero and span).

Power Requirements: 12-36 VDC.

Output Signal: 4 to 20 mA DC, 2-wire.

Zero & Span Adjustments: Externally accessible potentiometers, non-interactive, ±10% F.S. adjustment.

Response Time: 250 msec max.

Loop Resistance: 0 to 1045 ohms

Current Consumption: 3.6 mA (min).
 $V_{min} = 12V + [(0.22A)(R_L)]$.

Electrical Connection: Screw terminals.

Process Connection: Barbed stainless steel for 3/16" I.D. tubing.

Housing: 300 Series SS (NEMA 2).

Weight: 1.04 lb (472 g).

Agency Approvals: CE.