

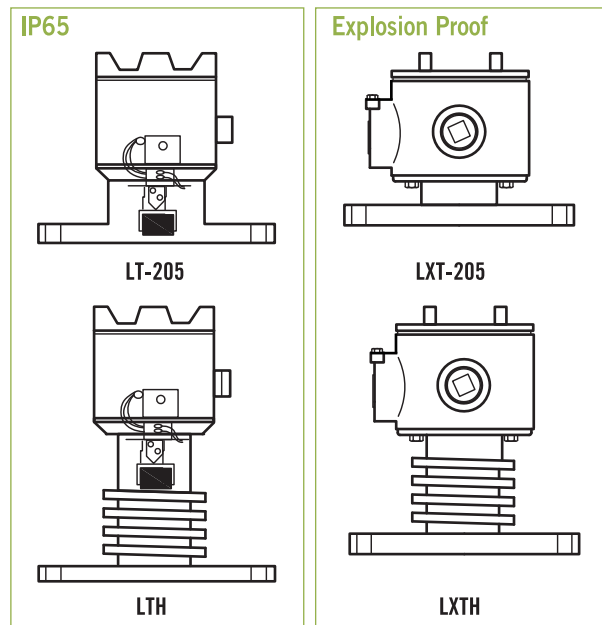
VERTICAL MAGNETIC LEVEL SWITCH

LT205 – WEATHER PROOF LXT205 – EXPLOSION PROOF

Technical Data

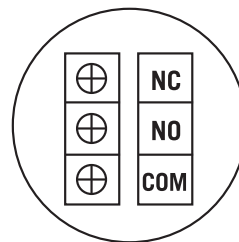
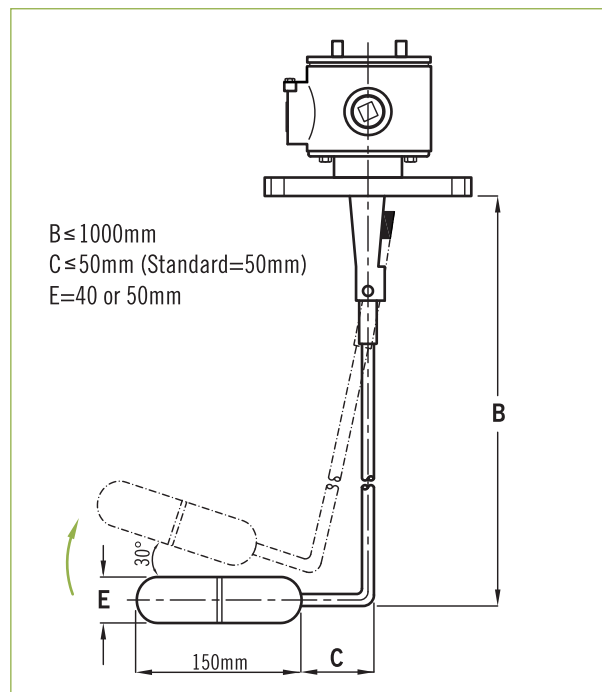
- Enclosure housing:** Explosion proof-EEEx d II C T6; Weather proof-IP65
- Process connection:** 1½"~3" Flange type
- Flange rating:** JIS, ANSI, DIN available
- Material:** Wetted parts 316 stainless steel
- Pressure limits:** 3.0 MPa (30 kg/cm²) for ø40 float; option: up to 4.5 MPa
2.0 MPa (20 kg/cm²) for ø50 float
- Float working specific gravity:** ≥0.7 (option: less than 0.7 available on request)
- Limited temperature:** -30°C ~ +150°C (-30°C~+350°C for LTH & LXTH only)
- Switch function:** SPDT Micro switch
- Switch rating:** 3A/250VAC, 3A/30VDC, 0.4A/125VDC
- Conduit Connection:** ½"NPT, ¾"NPT female, option available

Head Type



*LTH & LXTH for high temperature.

Dimensions



Wire Drawing

Ordering Information

Model	LT205	LXT205	LTH	LXTH
Code	Process Connection Size			
1	1½" (ø50 not available)	2	2"	
3	3"		0	option (please specify size)
Code	Process Connection Rating			
	(A) JIS10K (B) JIS20K (C) ANSI 150# (D) ANSI 300#			
	(E) PN16 (F) PN25 (G) option			
Code	Conduit Connection Size			
	(1) ½"NPT (2) ¾"NPT (3) Option			
Code	Flange Material			
	(1) SS316 (2) SS304 (3) Option			
Code	Float Arm Length			
C	50mm (standard) 0 option			
B	Please fill in the request length			