

CABLE FLOAT LEVEL SWITCH

LQ SERIES

Technical Data

High Corrosive Liquid Useable

Set Point adjustable (max. set point 7)

Multiple Level Set Point available

Float Enclosure Class: IP68

Material: Housing– Aluminum alloy with paint, option available; Float– ABS plastic;
Cable– PVC plastic; Flange– PVC, PP, option available; Weight– PVC

Float Size: $\varnothing 80 \times 110\text{mm}$ L

Housing Conduit Size: $\frac{3}{4}$ "NPT(F), option available

Flange Size: 3" (for LQ-01~LQ-05), 4" (for LQ-06~LQ-07), option available

Cable Length: Standard 6M; Option available (max. length 25M)

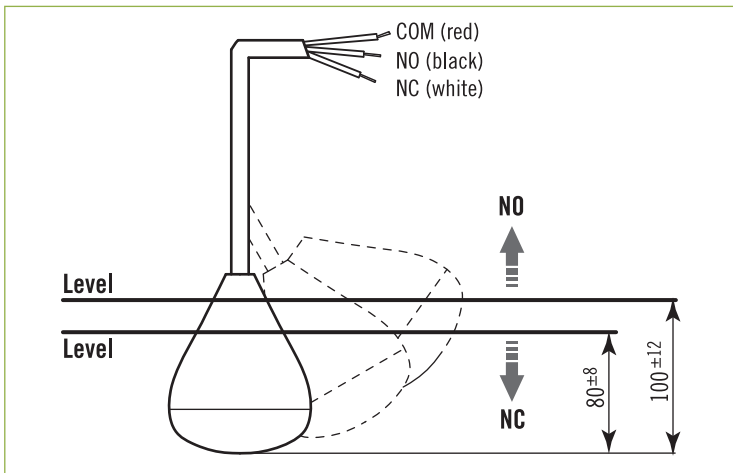
Working Pressure Limited: maximum 2.5 kg/cm²

Working Temperature Limited: -10°C ~ +50°C

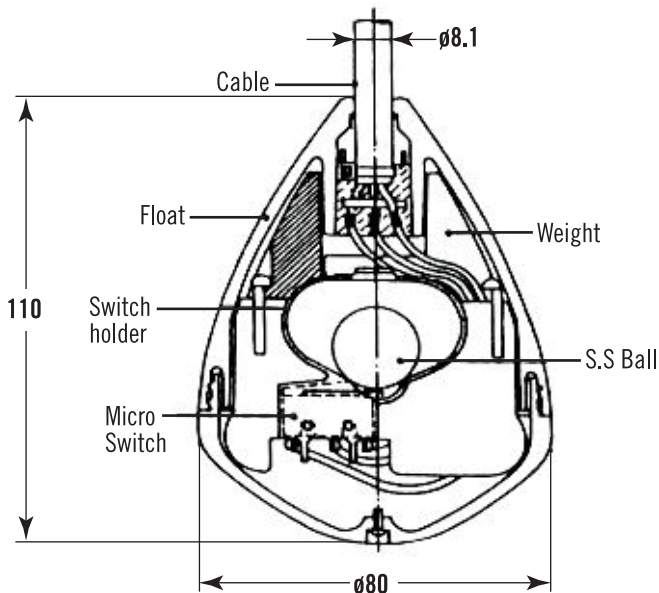
Switch Mode: SPDT mode

Switch Rating: 5A/125VAC, 3A/250VAC, 5A/8V & 14VDC, 4A/30VDC, 0.4A/125VDC

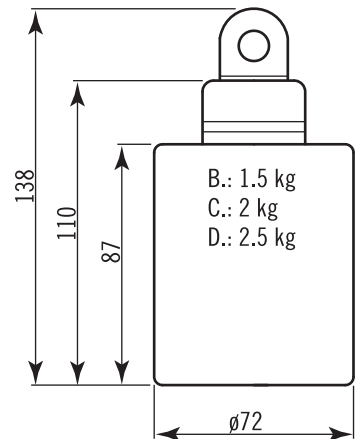
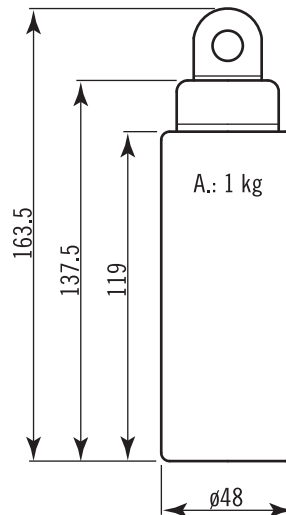
Acting Gap in Fluid



Dimensions for Float & Weight



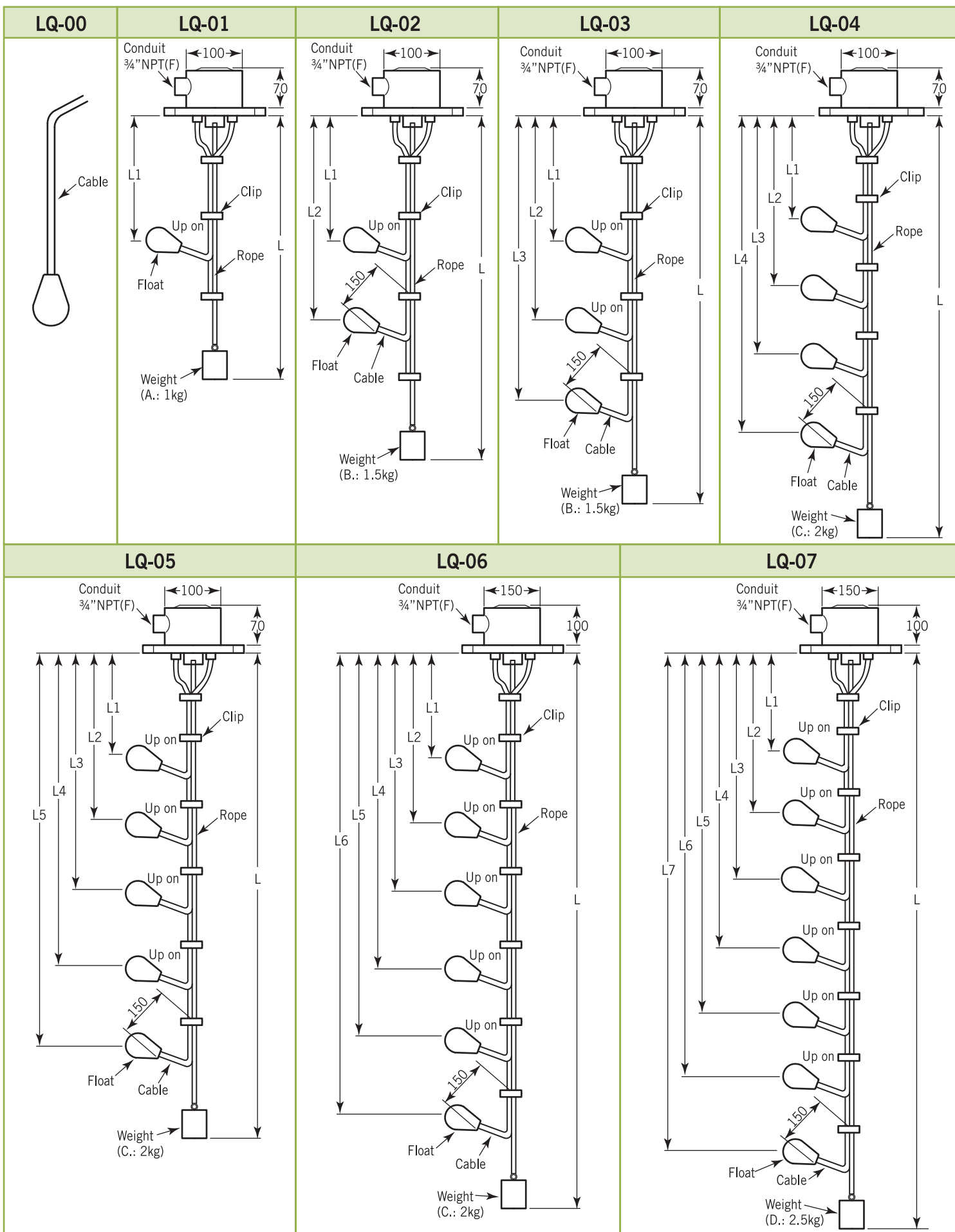
LQ Series Float



Weight



Model & Dimensions (mm)



NOTE. For model LQ-01~LQ-05: flange size is equal or more than 3"; For model LQ-06~LQ-07: flange size is equal or more than 4".

