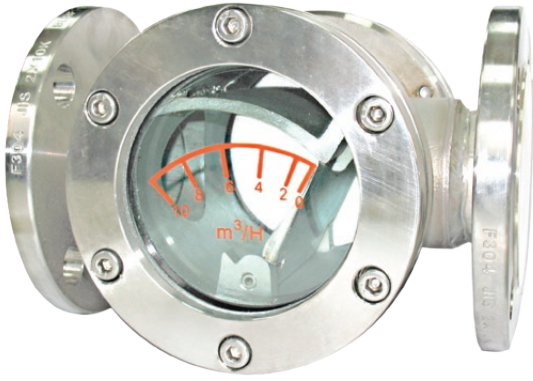
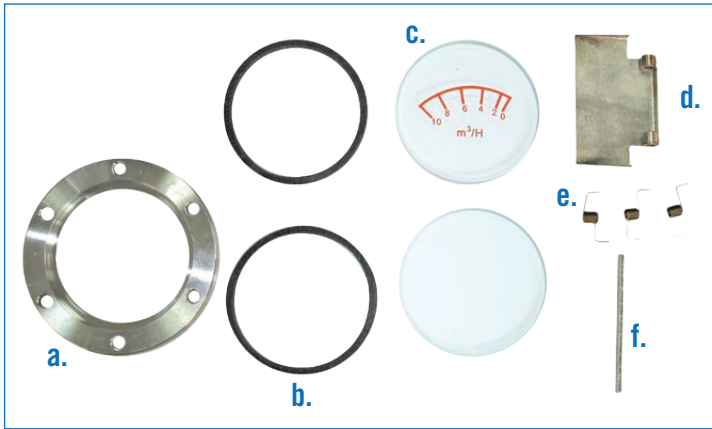


# FLOW SIGHT GLASS FS TYPE

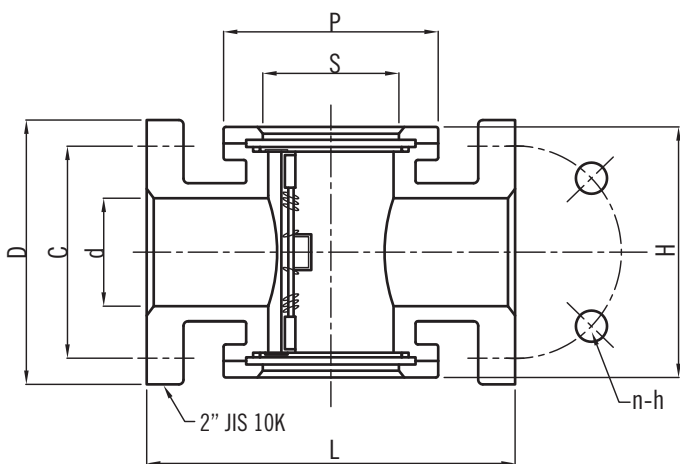


## Parts List



Item	Parts Name
a.	Cover x 2
b.	Gasket x 4
c.	Lens x 2
d.	Paddle x 1
e.	Spring x 3
f.	Guide x 1

## Dimensions



unit=mm

Size	Range (m³/h)	Dimensions							
		d	C	D	H	S	P	L	n-h
2" JIS 10K	2~10	48	120	155	170	102	149.5	220	19φ
	2~18	48	120	155	170	102	149.5	220	19φ