

FULL BORE SAFETY VALVES

FSF-1P/FSF-2P

Technical Data

Low lift safety valves

Material: Body-FC; Valve Seat-PTFE

Orifice size: 1"(25mm), 1½"(40mm), 2"(50mm)

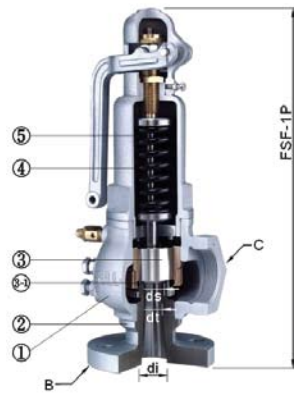
Working pressure: 1~10 kgf/cm² (14~150 psig)
11~16 kgf/cm² (156~227 psig)

Working temp.: -5°C~196°C

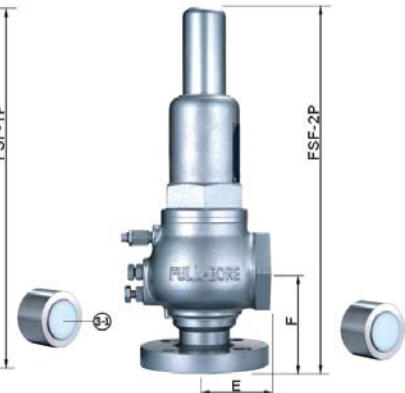
Working fluid: Noncorrosive gas, air, steam
(FSF-2P sealing type is suitable for using in water system)

Blowout Capacity Table

set pressure	Steam Blowout Cap. (kg/h)		
	1"(25)	1½"(40)	2"(50)
1 kgf/cm ²	67.90	156.9	271.7
2 kgf/cm ²	102.4	236.6	409.5
3 kgf/cm ²	136.9	316.2	547.4
4 kgf/cm ²	171.3	395.8	685.2
5 kgf/cm ²	205.8	475.4	823.1
6 kgf/cm ²	240.2	555.0	960.9
7 kgf/cm ²	274.7	634.7	1099
8 kgf/cm ²	309.2	714.3	1237
9 kgf/cm ²	343.6	793.9	1374
10 kgf/cm ²	378.1	893.5	1512
11 kgf/cm ²	412.5	953.2	1650
12 kgf/cm ²	447.0	1033	1788
13 kgf/cm ²	481.5	1112	1926
14 kgf/cm ²	515.9	1192	2064
15 kgf/cm ²	550.4	1272	2202
16 kgf/cm ²	584.9	1351	2239
17 kgf/cm ²	619.3	1431	2477
18 kgf/cm ²	653.8	1511	2615
19 kgf/cm ²	688.2	1590	2753
20 kgf/cm ²	722.7	1670	2891



FSF-1P
Lever 1"~2"



FSF-2P
Sealing 1"~2"

Dimensions

SEALING SERIES				
ITEM	SIZE	1"	1½"	2"
FSF-1P FSF-2P		310	385	440
Inlet B		1"	1½"	2"
Outlet C		1¼"	2"	2½"
Inlet Orifice di		25	40	50
Throat Orifice dt		19	29	38
Valve Seat Orifice ds		22.5	34.0	44.0
Effective Discharge area mm ²		283.5	660.5	1134.1

(unit:mm)

LEVER SERIES				
ITEM	SIZE	1"	1½"	2"
E		60	70	85
F		85	100	115
Lift		4.8	7.3	9.5
Wt. kg		6.5	12	17.5

General Material List

NO.	Type		FSF-1P Lever	FSF-2P Sealing
	Parts Name			
1.	Valve Body		FC	
2.	Valve Seat		PTFE	
3.	Disc		SUS304	
3-1.	Soft Seal		Teflon (PTFE)	
4.	Spring		Steel	
5.	Stem		SUS304	
Working Pressure			1~10 kgf/cm ²	11~16 kgf/cm ²
Working Temp.			-5°C~196°C	
Working Fluid			Noncorrosive gas, air, steam	

Ordering Information

FSF-1P / FSF-2P	Code	Valve Seat	
↓	P	PTFE	
		Code	Pressure Rating
		1	1~10 kg/cm ² 2 11~16 kg/cm ²
		Code	Size
		(A) 1" JIS 10K (B) 1½" JIS 10K (C) 2" JIS 10K	
Complete Ordering Code			