

DISPLACER LEVEL SWITCH 300 Three Stage Series

EDW300 – Weather Proof Type

EDX300 – Explosion Proof Type

The NEW-FLOW Displacer Level Switches are made to fit wide range applications such as pump control, waste water level and deep open tank. They are designed for high corrosive resistance and long service life. 300-Series are one stage control and easy to install.

Technical Data

Easy Installation

Material: Wetted parts – SS316, SS304 available

The suitable S.G.: ≥ 0.6

Weather proof: IP65

Explosion proof: CLASS I, GROUPS A,B,C,D; CLASS II, GROUPS E,F,G; NEMA 4X

Micro switch rating (SPDT & 2SPDT Type): 5A/125VAC, 3A/250VAC, 3A/30VDC, 0.4A/125VDC, 0.2A/250VDC

Max. temperature: 250°C

Float size: $\varnothing 60\text{mm} \times 160\text{mm}$ length, other sizes available upon request



EDX300

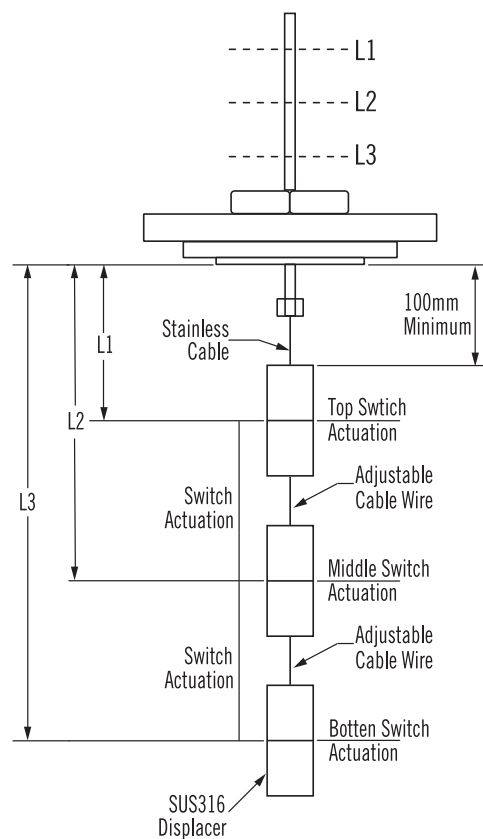
EDW300

Switch Function

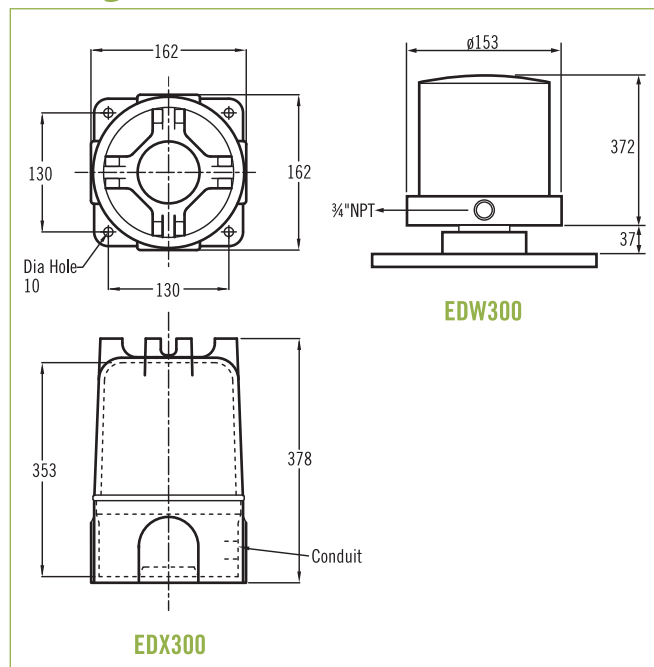
Dry Contact MicroSwitch	1SPDT X3	
Dry Contact MicroSwitch	2SPDT X3	

Control

Narrow Differential Model: 300



Housing Dimensions



Ordering Information

EDW/EDX	Code	Model
		300 Narrow differential
		Code Process Connection Size
		(1) 2½" (2) 3" (3) Option
		Code Process Connection Rating
		(A) JIS10K (B) JIS20K (C) ANSI 150# (D) ANSI 300# (E) PN16 (F) PN40 (G) option
		Code Conduit Size
		1 ¾" NPT
		Code Switch Function
	A	Dry Contact Microswitch
	B	Option
	C	Dry Contact Microswitch
	D	Option
		1SPDT X 3
		2SPDT X 3
		Code Float Material
		(1) SS316 (2) SS304
		Code Wetted Parts
		(A) SS316 (B) SS304
		Code Sp. Gr.
	A	(A) 1 (B) Other Sp. Gr.
		Setting Point
		Please fill in the requested length:
		L1= L2= L3=
		L1= L2= L3=
		Complete Ordering Code

6-7-8135500 • FAX: 886-7-8225588 • Email: info@new-flow.com

WWW NEW FLOW COM