

DISPLACER LEVEL SWITCH 200 Two Stage Series

EDW200 – Weather Proof Type

EDX200 – Explosion Proof Type

The NEW-FLOW Displacer Level Switches are made to fit wide range applications such as pump control, waste water level and deep open tank. They are designed for high corrosive resistance and long service life. 200-Series are one stage control and easy to install.

Technical Data

Easy Installation

Material: Wetted parts – SS316, SS304 available

The suitable S.G.: ≥ 0.6

Weather proof: IP65

Explosion proof: CLASS I, GROUPS A,B,C,D; CLASS II, GROUPS E,F,G; NEMA 4X

Micro switch rating (SPDT & 2SPDT Type): 5A/125VAC, 3A/250VAC, 3A/30VDC, 0.4A/125VDC, 0.2A/250VDC

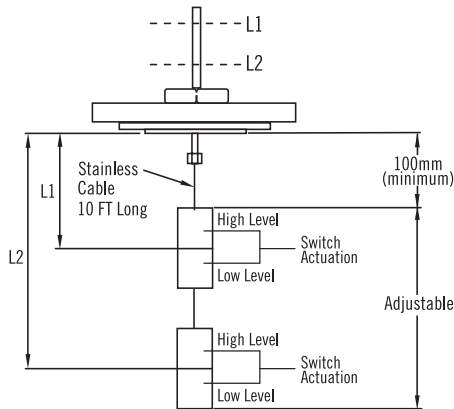
Max. temperature: 250°C

Float size: Ø60mmx160mm length, other sizes available upon request

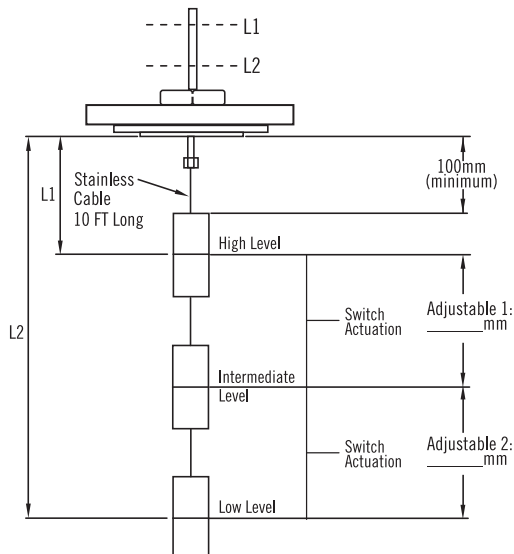


Control

Narrow Differential Model: 200



Wide Differential Model: 201

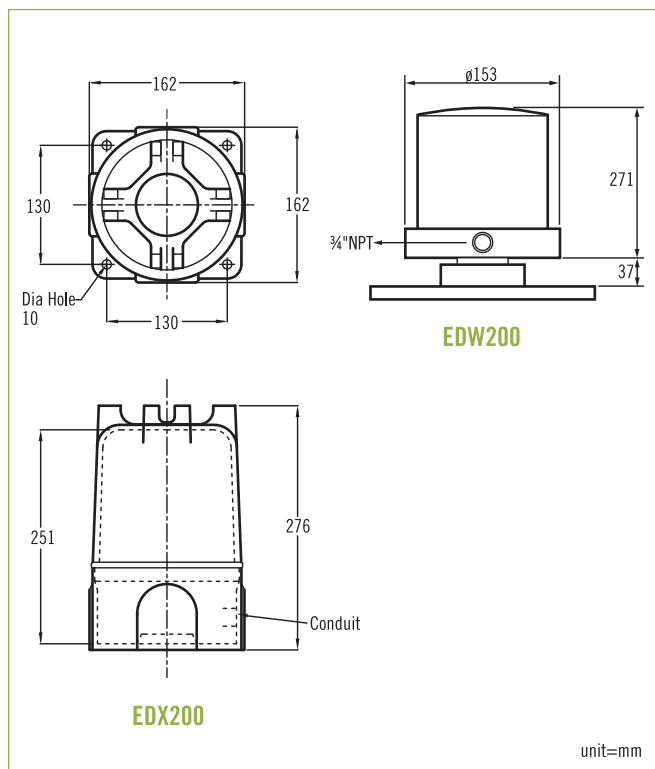


Note. Adjustable 1, 2: Please fill in request length.

Switch Function

Dry Contact Micro-switch	1SPDT X 2	
Option		
Dry Contact Micro-switch	2SPDT X 2	
Option		

Housing Dimensions



unit=mm

Ordering Information

EDW/EDX	Code	Model
	200	Narrow differential
	201	Wide differential
	Code	Process Connection Size
		(1) 2½" (2) 3" (3) Option
	Code	Process Connection Rating
		(A) JIS10K (B) JIS20K (C) ANSI 150# (D) ANSI 300# (E) PN16 (F) PN40 (G) option
	Code	Conduit Size
	1	¾" NPT
	Code	Switch Function
	A	Dry Contact Microswitch
	B	Option
	C	Dry Contact Microswitch
	D	Option
		1SPDT X 2
		2SPDT X 2
	Code	Float Material
		(1) SS316 (2) SS304
	Code	Wetted Parts
		(A) SS316 (B) SS304
	Code	Sp. Gr.
	A	(A) 1 (B) Other Sp. Gr.
		Setting Point
		Please fill in the requested length: L1= L2=
		L1= L2=
		Complete Ordering Code

6-7-8135500 • FAX: 886-7-8225588 • Email: info@new-flow.com

WWW NEW FLOW COM