

# PLASTIC FLANGE TYPE DIAPHRAGM SEAL

## DT118

### Application

DT118 diaphragm seal is made with material including, special plastic to provide to against the acid fluid for application in customers device. Its easy to assemble with pressure gauges, pressure switches and pressure transducers.

### Technical Data

**Instrument connection:** Female thread ¼" to ½" BSP or NPT

**Membrane size:** Ø55, Ø75

**Process connection:** ½" to 2" Flange type, JIS, ANSI, DIN available

**Measurement range:** -760mmHg ~ 0 ~ 10 kg/cm<sup>2</sup> (Ø75 Membrane)  
0 ~ 25 kg/cm<sup>2</sup> (Ø55 Membrane)

**Max. temperature:** Up to 120°C

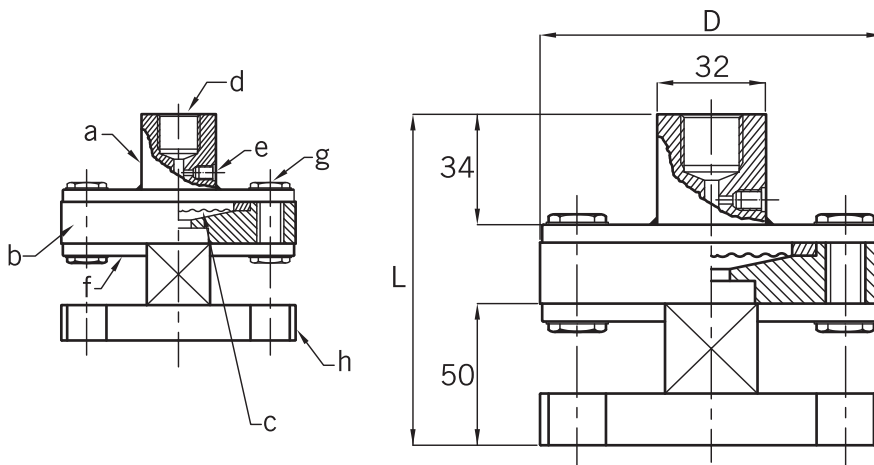
**Material:** Upper housing - SS316 (standard); Low housing - P.V.C, P.P, PVDF, Teflon available

**Membrane material:** SS316L+Teflon lining (standard); Options - Hastelloy C276, Titanium, Tantalum and others on request.



### Dimensions

Item	Description of Parts
a	Upper housing
b	Lower housing
c	Membrane
d	Instrument connection
e	Filling port
f	Supporting ring
g	Screw bolt
h	Flange



Membrane size		
Ø	55	75
D	80	100

\*L: According to the flange rating.

### Ordering Information

DT118	Code	Instrument Connection Size (Female)
		(A) ¼"BSP (B) ¼"NPT (C) ⅜"BSP (D) ⅜"NPT (E) ½"BSP (F) ½"NPT
		<b>Code</b> <b>Membrane Size</b>
		(A) Ø55 (B) Ø75
		<b>Code</b> <b>Upper Housing Material</b>
		(S) SS316 (Standard) (O) Option
		<b>Code</b> <b>Lower Housing Material</b>
		(V) PVC (P) P.P (T) Teflon (PV) PVDF
		<b>Code</b> <b>Membrane Material</b>
		(H) Hastelloy C (Ti) Titanium (Ta) Tantalum (Tf) SS316 + Teflon lining (O) Option
		<b>Code</b> <b>Process Connection Size</b>
		(A) ½" (B) ¾" (C) 1" (D) 1½" (E) 2" (O) Option
		<b>Code</b> <b>Process Connection Rating</b>
		(A) JIS 10K (B) ANSI 150# (C) PN16 (O) Option
DT118		complete ordering code