

FIELD MOUNTED DIGITAL DISPLAY

D-1000 TYPE

Explosion Proof

CLASS I, GROUPS A, B, C & D,

CLASS II, GROUPS E, F & G

NAME 4X



Technical Data

Enclosure Housing: Aluminum or 316SS

LCD Display: 5 digital (Only Positive digital)

Input: Linear 4 to 20mA

Loop Resistance: 500Ω

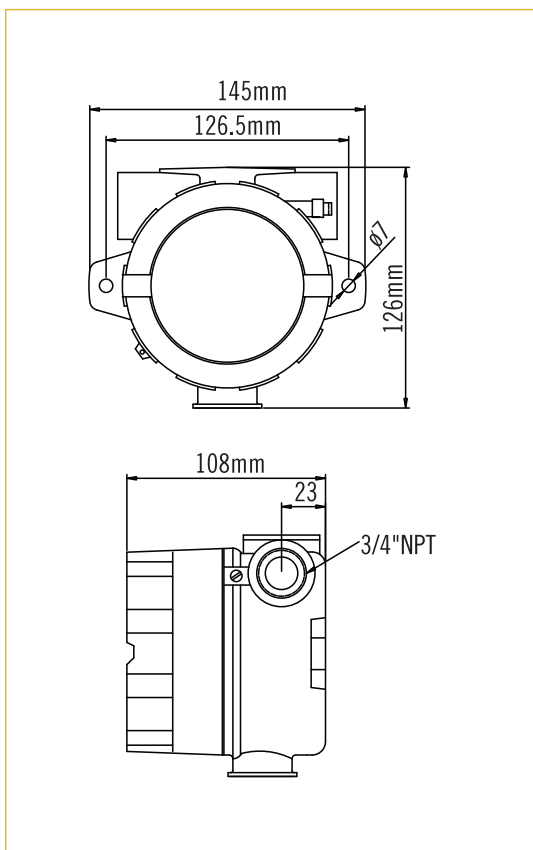
Accuracy: Analog (4~20mA): ±0.5% of span

Ambient Temperature: -40 to +85°C (-40 to 185°F)

Power Supply: 12 to 35 VDC

Unit: mA, A, mV, V, PH, °F, °C, PSI, Pa, Kpa, Mpa, mbar, bar, %, M, cm...available

Dimensions



Ordering Information

D-1000	Code	Enclosed Housing
↓	A	Aluminum
	S	316SS
↓	↓	
D-1000		Complete Ordering Code

Wire Drawing

