



"Setting The Standard For Supplier Excellence"



VibraRod™ Vibratory Type Point Level Sensors For Solids

Addendum For Ordinary Location Sensor Only

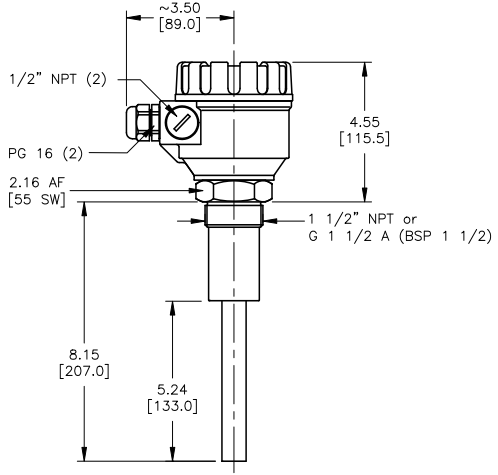
- ▼ Inserted portion of probe has been shortened by 1.1 inches (28mm) to withstand stronger lateral forces
- ▼ Universal power supply (20 - 255V AC/DC)

SPECIFICATIONS

Power Requirements:	20-255V AC/DC
Power Consumption:	≤ 2.5VA (AC); ≤ 2W (DC)
Process Temperature:	
Standard Probe:	-22° to 230° F (-30° to 110° C)
Pipe Ext. Probe:	-22° to 230° F (-30° to 110° C)
Cable Ext. Probe:	-22° to 203° F (-30° to 95° C)
Ambient Temp:	-22° to 122° F (-30° to 50° C) (all units)
Output Relay:	SPDT isolated; 8A @ 250VAC max
Sensitivity:	3.12lbs/ft ³ (0.05kg/dm ³) min density (max particle size=3/8in(10mm); Switch Selectable: High (>6.24lbs/ft ³ or 0.1kg/dm ³) or Low (≤ 6.24lbs/ft ³ or 0.1kg/dm ³)
Time Delay:	Switch Selectable: 2 or 5 seconds nominal
Fail-Safe:	Switch Selectable: High or Low
Housing:	Powder coated die-cast alum. or Plastic (PBT/Polybutylene Terephthalate fiberglass reinforced); NEMA6, IP67 1-1/2" NPT or G 1-1/2 A (BSP 1-1/2)
Mounting Connection:	
Pressure Rating:	
Standard Probe:	363psi (25bar)
Pipe Ext. Probe:	363psi (25bar)
Cable Ext. Probe:	87psi (6bar)
Conduit Connections:	Two (2) 1/2" NPT and Two (2) PG16
Local Indicator:	Bi-color LED; Red indicates de-energized relay and output "on"; Green indicates energized relay and output "off"; No LED illuminated indicates improper supply voltage or damaged circuitry
Probe Material:	
Standard Probe:	316Ti SS (DIN 1.4571)
Pipe Ext. Probe:	Probe is 316Ti SS (DIN 1.4571); 1" pipe is 316 or 316Ti (Europe Only; DIN 1.4571); max 10ft (3m)
Cable Ext. Probe:	Probe is 316Ti SS (DIN 1.4571) Polyethylene coated, steel reinforced cable; max 65ft (20m)
Weight:	
Standard Probe:	Aluminum: 4.14lbs (1.88kg) Plastic: 3.30lbs (1.5kg)
Pipe Ext. Probe:	Aluminum: 4.14lbs + 0.08lbs/in (1.88kg + 1.4kg/m) Plastic: 3.30lbs + 0.08lbs/in (1.5kg + 1.4kg/m)
Cable Ext. Probe:	Aluminum: 4.14lbs + 0.034lbs/in(1.88kg + 0.6kg/m)
Approvals:	CE Mark

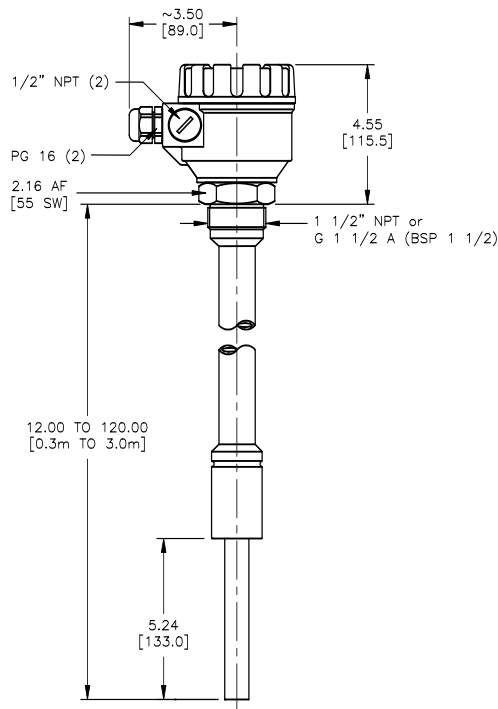
MECHANICALS

DIMENSIONS ARE SHOWN IN INCHES WITH MILLIMETER EQUIVALENT IN BRACKETS



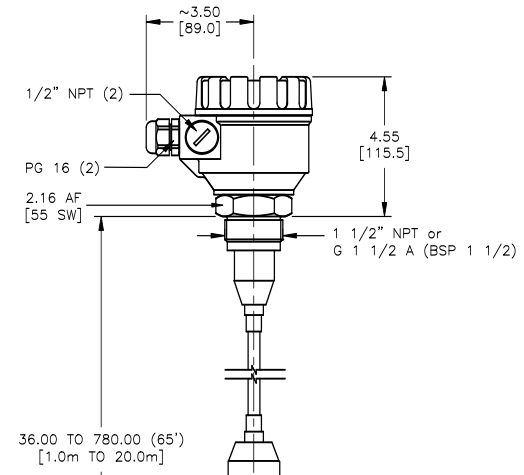
STD UNLESS SPECIFIED
XX" [XXmm]

Standard Probe



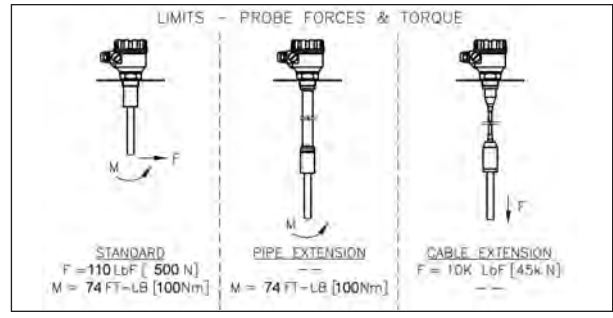
STD UNLESS SPECIFIED
XX" [XXmm]

Pipe Extension Probe



STD UNLESS SPECIFIED
XX" [XXmm]

Cable Extension Probe



ORDERING INFORMATION



MODEL/PROBE CONFIGURATION
 1= Standard probe
 2= Cable Extension Probe (Specify length from 3ft/1m to 65ft/20m)
 3= Pipe Extension Probe (Specify length from 12in/0.3m to 10ft/3m)

HOUSING CONSTRUCTION MATERIAL
 1= Aluminum
 2= Plastic

APPROVALS
 1= Ordinary Location(North America)

OUTPUT/POWER SUPPLY
 1= Relay (SPDT);
 Universal 20-255V AC/DC

PROCESS CONNECTION
 1= 1-1/2" NPT
 2= 1-1/2" BSP

