

UNIJJIN® GLASS THERMOMETER

Model : T400

T400 models are designed for corrosive environment which media do not corrode the brass and which do not have high viscosity or do not crystallize with applicable on general industry, chemical, petrochemical and etc.



Standard Specification

Model

T400 S (Direct bottom connection)
T400 L (Lower back connection)

Connection

1/2" BSPT

Casing Dimension

V-shape, 150mm x 35mm

Scale Range (°C & °F)

-30 ~ 50 °C,
0 ~ 100 °C,
0 ~ 120 °C,
0 ~ 150 °C,
0 ~ 200 °C

Special Range

Accuracy

± 2.0% of Full Scale

Working Range

Maximum Scale Value

Material

Case : Nylon Fiber
Temperature Element : Alcohol
Stem : Brass
Stem OD : 10mm

Thermometer Ordering Information

Model

T400 S : Straight
T400 L : Lower back

Scale Range

Stem Length

2½",
4",
6"

Connection Type

1/2" BSPT

Options

Thermowell

Example of Order

Model

T400S

Range

0 ~ 100 °C

Stem Length

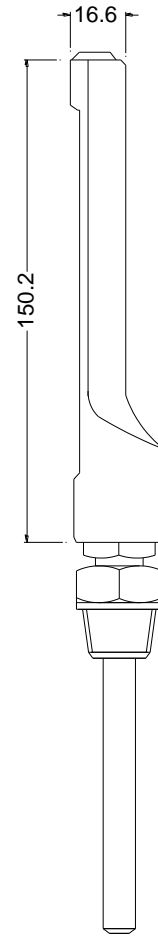
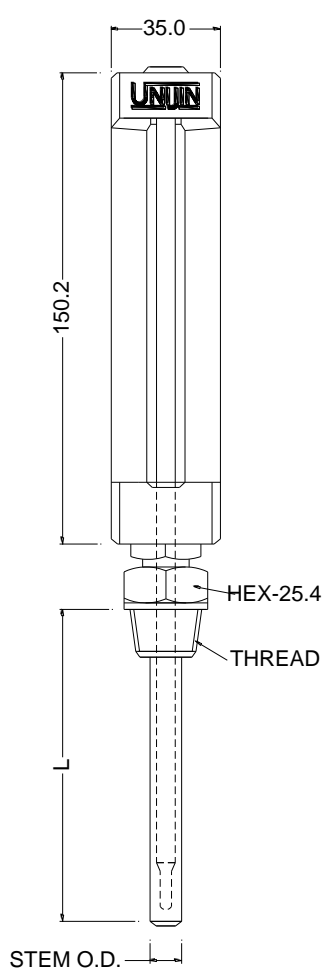
4"

Connection

1/2" BSPT

Basic Dimensions

CODE S



Unit : mm

CODE L

