

# Orifice Type Flow Indicator

**Model : SYP  
SYF**



**Model: SYP  
(With Cock)**



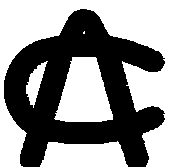
**Model: SYP  
(Without Cock)**



**Model: SYF  
(With Cock)**



**Model: SYF  
(Without Cock)**



**SHIN YUAN PRECISION MACHINERY CO., LTD**

CATALOG NO.2009-33

● **DESCRIPTION** : SYP, SYF Type Flow Indicator use an Orifice Plate mounted on the main line to indicate the flow of the main line with the By-Pass Variable Area Type Flow Indicator. This Flow Indicator measure the flow of high – speed liquid in large Pipe applications, Specializing Chemical Plant, Textile, Food and Dyeing Industry, or any pump that measure of high – speed liquids.

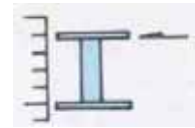
● **SPECIAL FEATURE** : SYP, SYF Type Flow Indicator has a stable construction and can be easily assembled/disassembled for either Vertical or Horizontal installation. Clear Flow Indicator is carved on the Flow Tube, which is easy to clean and maintain.

● **Flow Range**

SYP	25	32	40	50	65	80						
SYF	25	32	40	50	65	80	100	125	150	200	250	300
Size	1"	1 1/4"	1 1/2"	2"	2 1/2"	3"	4"	5"	6"	8"	10"	12"
H <sub>2</sub> O M <sup>3</sup> /Hr	0.7	2	2	3	4	8	20	25	30	40	80	100
	?	?	?	?	?	?	?	?	?	?	?	?
	5	10	15	20	30	60	100	150	200	300	500	600
AIR NM <sup>3</sup> /Hr	8	20	25	30	40	80	200	200	300	400	800	1000
	?	?	?	?	?	?	?	?	?	?	?	?
	50	100	150	200	300	600	1000	1500	2000	3000	5000	6000
Connection	SYP : PT Screw						SYF : Flange					
Temp.	Max. 100											
Pressure	Max. 10 kg/cm <sup>2</sup>											
Scale Ratio	Max/Min : 10/2											
Accuracy	±5~7% of full range											

● **Material**

Model	SYP, SYF
Indicating Tube	PC, GLASS
Indicating Body	SUS304, SUS316
Small Strainer	SUS304, SUS316
Orifice Plate	SUS304, SUS316, PVC,
Float	SUS304, TEFLON, P.P,
Orifice Plate Body	C.S., SUS304, SUS316, PVC, P.P
Seal	NEOPRENE, VITON
Cock	SUS304



I-type float indication position

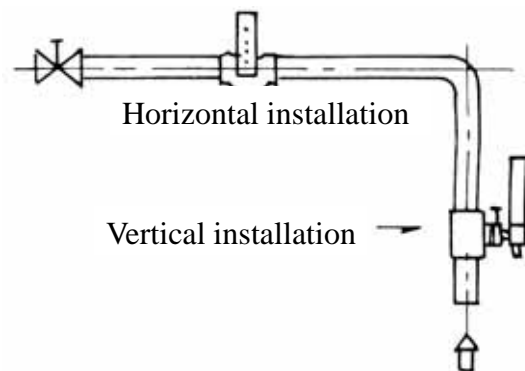
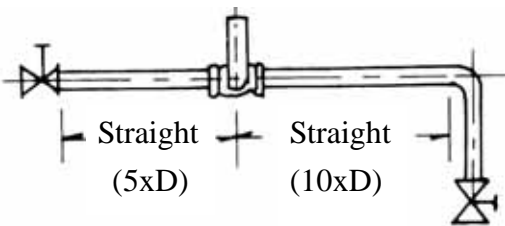
**Remarks:** 1. Beyond the above flow range, please contact to us before placing the order.

2. The above specifications will be revised any time without prior notification.

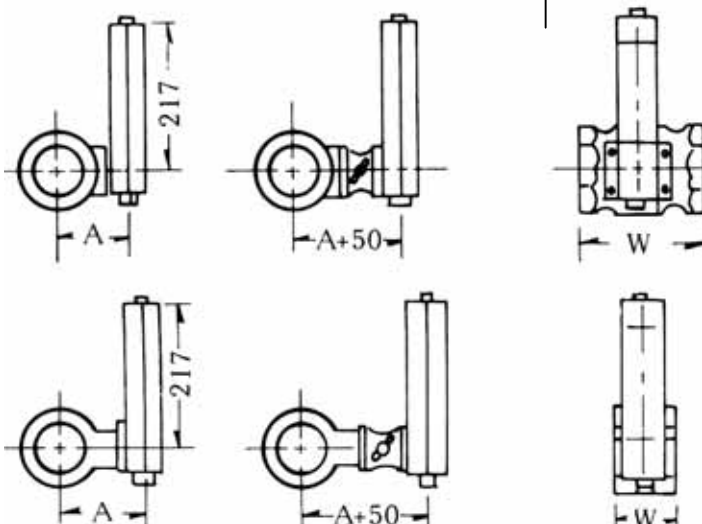
● **Installation** : Vertical or Horizontal

Piping arrangement : keeping pipe straight without valve or corner before and after the flow indicator

flow direction : right to left / left to right / bottom to top



● **Dimension ( mm )**



SYP	25	32	40	50	65	80						
A	65	65	65	75	80	85						
W	100			120								
SYF	25	32	40	50	65	80	100	125	150	200	250	
A	110	115	120	125	135	140	150	170	185	210	240	
W	50											