

PS1000W

# VACUUM SWITCH NEMA 4, 4X, IP65

## PS1000W

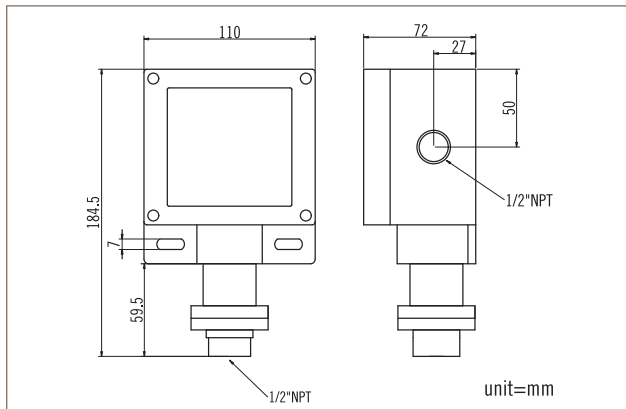
**Proof Pressure to 1000psi**  
**Adjustable Range: -25 ~ -760 mmHg**  
**Temperature: -5°C ~ +150°C**

The New-Flow PS1000W, a water proof vacuum switch, is designed to be used in control systems. PS1000W has high set point repeatability and narrow dead band features. Easily adjusted to the set point, and no special tools needed!

### Technical data

- Switch Data:** One SPDT Microswitch  
15amps 125/250V, Gold Contact Microswitch 1A  
125/250VAC
- Housing:** die cast aluminum alloy with paint
- Conduit Connection:** 3/4" or 1/2" NPT Female
- Pressure Element:** Diaphragm
- Process Materials:** Wetted parts-SS316; O-ring- Viton
- Process Connection:** 1/2" or 1/4" NPT Female and BSP Female available

### Dimensions



### Range Table

Code	Adjustable Range	Dead Band	Maximum Pressure Proof
1R	-25 ~ -760 mmHg	10 ~ 20 mmHg	1000 psi

### Ordering Information

PS1000W	Code	Range		
	1R	-25 ~ -760 mmHg		
		<b>Code</b>	<b>Wetted Material</b>	
		A	SS316	
		<b>Code</b>	<b>Process Connection</b>	
			(1) 1/2" NPT Female (2) 1/4" NPT Female (3) 1/2" BSP Female (4) 1/4" BSP Female	
		<b>Code</b>	<b>Condit Connection</b>	
			(E) 3/4" NPT Female, standard (F) 1/2" NPT Female	
		<b>Code</b>	<b>Switch Form</b>	
		1	One SPDT	
PS1000W				

**Complete Ordering Code**

