

*Thank you for choosing a NIVELCO instrument.
We are sure that you will be satisfied throughout its use.*

1. APPLICATION

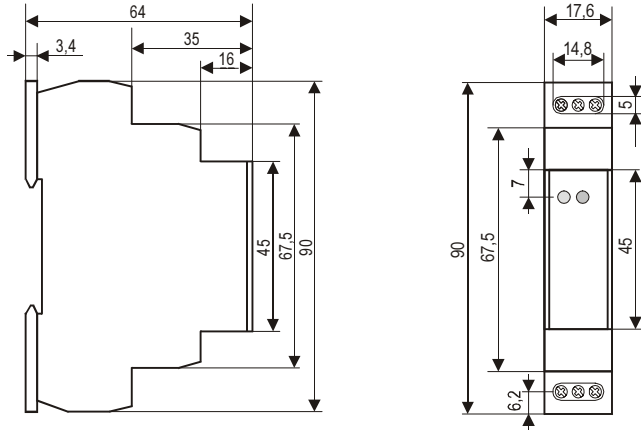
NITIME time relays are microprocessor controlled units suitable for highly diverse timing tasks. The multiple functions, the universal power supply and (1-module width) the rail mountable construction ensure universal usage (automation, lighting, heating, motor and ventilation control).

2. TECHNICAL DATA

2.1 GENERAL DATA

TYPE		JEL-111	JEL-121
Number of functions		10	2
Adjustable time ranges		0.1 sec ... 10 days	0.1 sec ... 100 days
Time setting controls		rotary switch, potentiometer	
Reset time		max. 150 msec	
Time deviation		5% - mechanical setting	
Repeat accuracy		0.2% - set value stability	
Temperature coefficient		0.01% /°C at 20 °C	
Power supply		12-240V AC/DC	
Power consumption		0.7-3 VA AC, 0.5-1.7 W DC	
Output	Relay	1xSPDT	
	Rated current	16 A AC1	
	Inrush current	30 A (<3 sec)	
	Output indication	multifunctional LED	
	Switching voltage	250 V AC1 / 24 V DC	
	Switching power	4000 VA AC1, 384 W DC	
	Min. switching power	500 mW DC	
	Electrical lifespan (AC1)	0.7x10 ⁵ switchings	
Mechanical lifespan		3x10 ⁷ switchings	
Electrical connection		terminal for 2.5 mm ² wire cross-section	
Electrical protection		Class II. reinforced insulation	
Mechanical connection		DIN EN60715 rail	
Ingress protection		IP 20	
Ambient temperature		-20°C ... +55°C	
Mass		90 g	70 g

2.4 DIMENSIONS



3. INSTALLATION

NITIME time relays can be mounted on DIN EN 60715 rails. The device should not be installed in highly electromagnetic environment. Operating temperature should not exceed the limit of the specified operation temperature even in conditions such as increased ambient temperature or continuous operation. The device is completely electronic. Consider this during the installation.

NITIME

TIME RELAYS

User's manual



NIVELCO

2.2 ACCESSORIES

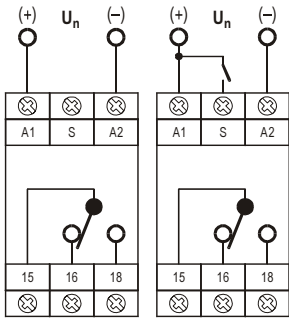
- User's manual
- Warranty Card
- Declaration of Conformity

2.3 ORDER CODE

NITIME J E L - 1 1

Type	Code
Multifunction	1
Pulse cycler	2

4. WIRING

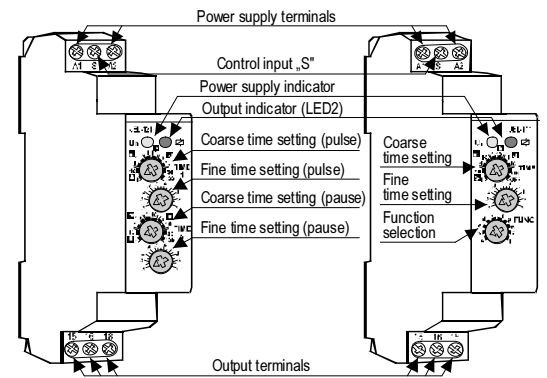


5. PUTTING INTO OPERATION

5.1 ADJUSTMENT

The green LED (U_n) shows when the unit is turned-ON, while the state of the output is indicated by the multifunctional red LED. (LED 2)

Time and function settings can be set using the potentiometer and the rotary switch on the front panel.



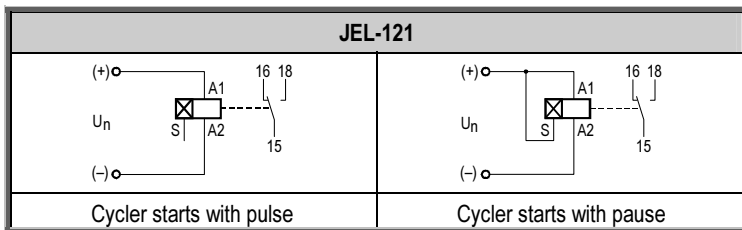
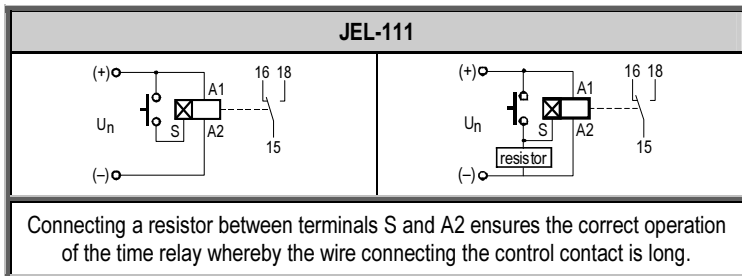
JEL-121

JEL-111

5.2 FUNCTIONS

JEL-111		JEL-121	
Operating mode	Time graph	Operating mode	Time graph
a Energisation delay		f Release delay with control contact	
b Release delay		g Release delay after cessation of control signal	
c Cycler energised with delay		h Energisation and release delay with control contact	
d Cycler energised without delay		i Pulse relay	
e Power-OFF delay with control contact		j Pulse generator (P = 0.5 s)	
			<p>Cycler starts with pulse</p>
			<p>Cycler starts with pause</p>

5.3 APPLICATION EXAMPLES



6. MAINTENANCE, REPAIR

Device does not require regular maintenance.

Repair within and beyond the warranty period is carried out on the Manufacturer's premises.

7. STORAGE

Storage temperature: $-30 \dots 70 \text{ }^\circ\text{C}$

8. WARRANTY

NIVELCO provides warranty of 3 (three) years in compliance with details described in the Warranty Card.

jel1111a0600h_02

2011 July

NIVELCO reserves the right to change technical data without notice!