

Thank you for choosing NIVELCO instrument
We are sure that you will be satisfied throughout its use!



D□□-4□□-□
PRESSURE
TRANSMITTER

1. APPLICATION

NIPRESS D-400 series pressure transmitters measuring pressure and converting it into voltage and current output can be used in 2- and 3-wire systems. The wide choice of the models makes it suitable for the most pressure measurement tasks whether relative or absolute pressure, static or dynamic measurement is required even at high temperatures. The series is available with two different grades of accuracy.

Design of the transmitter, its overload capability and wide range of temperature and the possibility to install the unit in any position allow their application in the most different industrial circumstances. It is especially suitable for pressure measurement of contaminated mediums and at the bottom (level). Standard pressure transmitting fluid is silicone oil but on request unit with liquid acceptable in the food industry is also available. Transmitters can be delivered with plug in display UNICONT PLK-501 enabling on site reading.

2. TECHNICAL DATA

TYPE		D□□-4□□-□
Range		-1... 400 bar
		According to the order code
Overload capability		According to the order code
Accuracy		$P_N > 0,4 \text{ bar}$:0,25%, or 0,5% According to the order code $P_N \leq 0,4 \text{ bar}$: 0,5%
Medium temperature		-25 °C ... +125 °C, High temperature version: max. 300 °C-ig
Ambient temperature		-25 °C ... +85 °C
Sensing method		Piezoresistive, over 40 bar: capacitive
Materials of wetted parts	Sensor	Stainless steel: DIN 1.4435 (diaphragm)
	Sensor sealing	FKM (Viton) $\leq P 40 \text{ bar}$ > NBR for threaded process connection No sealing for pipe coupling DIN11581 and Tri-Clamp process connection
	Process connection	$\frac{1}{2}$ " BSP or 1" BSP and $P > 40 \text{ bar}$ Stainless steel: DIN 1.4571 1" BSP connection and $\leq P 40 \text{ bar}$: 1.4435
	Housing	Stainless steel: DIN 1.4301
Output		4 ... 20 mA; 0 ... 10 V
Power supply		12...36 V DC for 4...20 mA output ; 14...36 V DC voltage output
Load capability		$R_t \leq \frac{U_s - 12 \text{ V}}{0,02 \text{ A}} \Omega$ for current output $R > 10 \text{ k}\Omega$ for voltage output
Process connection		According to the order code
Electric connection		Pg 9 DIN 43650 connection
Ingress protection		IP 65 / IP 67 (integral cable version)
Electric protection		SELV Class III
Mass		~ 0,5 kg



Manufacturer:

NIVELCO Process Control Co.
H-1043 Budapest, Dugonics u. 11.
Phone: (36-1) 369-7575 Fax: (36-1) 369-8585
e-mail: sales@nivelco.com http://www.nivelco.com

2.1 ACCESSORIES

- User's Manual,
- Guarantee certificate,
- Manufacturer's declaration

2.2 ORDER CODE

NIPRESS D □ □ - 4 □ □ - □

MEASUREMENT / TEMPERATURE	CODE	PROCESS CONNECTION	CODE	CODE	RANGE (OVERLOAD CAPABILITY) BAR ⁽⁵⁾	CODE	OUTPUT / EX	CODE
Relative	R	1/2" BSP ^{(1) (2) (7)}	C	0	-1 ... 0 (3)	A	4 ... 20 mA	2
Absolute ⁽¹⁾	E	1" BSP	E	1	0 ... 0,1 (0,5)	B	0 ... 10 V	3
Relative / up to 150°C temperature	H	1" Triclamp	L ⁽³⁾	2	0 ... 0,25 (1)	C		
Relative / up to 300°C temperature	J	1 1/2" Triclamp	M ⁽³⁾	3	0 ... 0,4 (1)	D		
		2" Triclamp	N ⁽³⁾	4	0 ... 0,6 (3)	E		
		Pipe coupling DIN11851DN25	O ⁽⁴⁾	5	0 ... 1,0 (3)	F		
		Pipe coupling DIN11851DN40	P ⁽⁴⁾	6	0 ... 1,6 (6)	G		
		Pipe coupling DIN11851DN50	R ⁽⁴⁾	7	0 ... 2,5 (6)	H		
				8	0 ... 4,0 (20)	J		
				9	0 ... 6,0 (20)			
						ACCURACY		CODE
						0,25 %		1 ⁽⁶⁾
						0,5 %		2

- (1) > 0,1 bar
- (2) $\leq 40 \text{ bar}$
- (3) $\leq 40 \text{ bar}$; ISO 2852
- (4) $\leq 40 \text{ bar}$; DIN 11851
- (5) Special range on request
- (6) > 0,4 bar
- (7) up to 125 °C

2.3 DIMENSIONS

D□C - 4□□ - □ 1/2" BSP THREAD	D□E - 4□□ - □ 1" BSP THREAD	D□□ - 4□□ - □ PIPE COUPLING DIN11851	D□□ - 4□□ - □ TRI-CLAMP	DH□ - 4□□ - □ COOLER RIB MAX. 150°C	DJ□ - 4□□ - □ TRI-CLAMP, COOLER RIB MAX. 300°C	TRANSMITTER WITH PLK-501-2

DIMENSIONS	PIPE COUPLING DIN11851			TRI-CLAMP			THREAD
	DN25	DN40	DN50	1"	1 1/2"	2"	1" BSP
A	71	53	53	70,5	70,5	54,5	61,5
A 150	92	74	74	91,5	91,5	75,5	82,5
A 300	142	124	124	141,5	141,5	125,5	132,5
B	44	56	68,5	50,5	50,5	64	1" BSP

3. INSTALLATION

Due to its small size and weight NIPRESS D-400 can be directly installed on tanks, pipes, machines, etc without mounting device.

To provide chance for replacement of the instrument during operation to the use of closing armature is recommended. A simple ball valve will be suitable for lower pressures and for higher pressures (above 6 barg) a three-way blow-off needle-valve can be suggested. For pressure measurements of mediums with temperatures over 75°C, the application of high temperature version is suggested.

For measuring hydrostatic pressure for level the unit should be thread in a stub at the tank wall possibly near to the bottom.

Using longer impulse tube its proper sloping for the necessary de-aerating and emptying has to be ensured.

Measuring low pressures in systems with substantial height difference between the transmitter and place of measurement the hydrostatic pressure of the medium in the impulse pipe should not be forgotten. In the case of outside installation the unit is supposed to be protected against rain or splash water.

3.1 INSTALLATION

For mounting and dismantling SW32 open-end wrench should be used. Take care for the vulnerable flush face diaphragm.

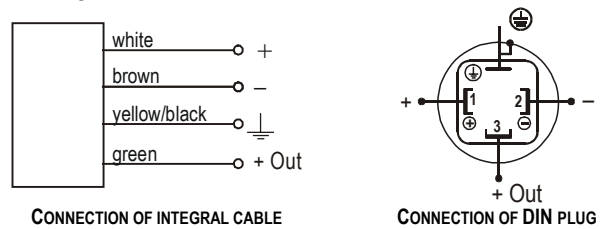
THE CYLINDRICAL HOUSING OF THE TRANSMITTER SHOULD NOT BE GRIPPED AND TIGHTENED WITH PIPE WRENCH!

The plug-in electric connector can be unplugged after releasing and removing its fastening screw. The connection insert can be pushed out by a screw driver from the direction of the screw.

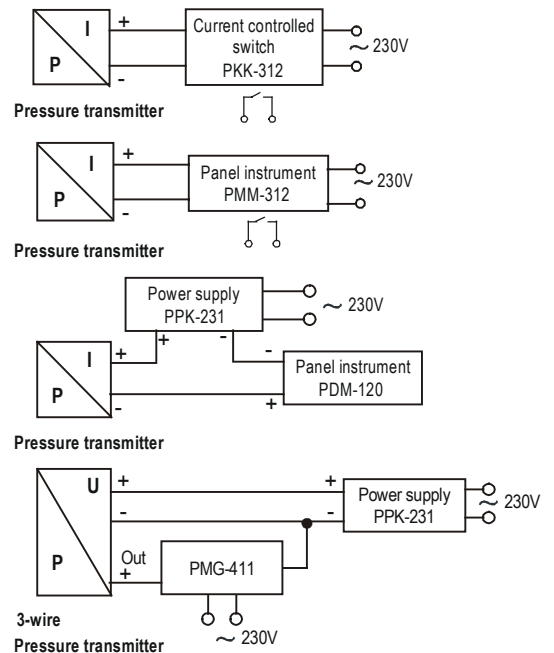
Pushing electric cable through the cable gland it can be connected to the relevant points of the connector. Make sure that the cable gland and sealing plate of the connector will be tight.

For the sake of noise suppression the transmitter should be grounded. If the grounding of the appliance with the pressure transmitter is appropriate no further action will be needed. If not, the grounding should be performed.

4. WIRING



4.1 ARRANGEMENTS



5. MAINTENANCE AND REPAIR

The instrument does not require regular maintenance. If necessary possible dirt deposited should be cleaned off. All repairs will be carried out at the Manufacturer's premises.

6. STORAGE CONDITIONS

Ambient temperature: -20 °C ... +85 °C
Relative humidity: max. 98 %

7. WARRANTY

Nivelco undertakes warranty of 2 (two) years in compliance with details described on the Warranty Certificate.

drc4612a0600h_01
September 2004.

NIVELCO reserves the right to change technical data without notice.