

PRESSURE SWITCH NEMA 4, 4X, IP65

PS2200W

Proof Pressure to 1000psi
Adjustable Ranges: 0.4~9.8psi
Temperature: -20 to 205°C

The New-Flow PS2200W, a water proof pressure switch, is designed to be used in control systems. PS2200W has high set point repeatability and narrow dead band features. There is a variety of range selections available upon request. Easily adjusted to the set point, no special tools needed!

Technical Data

Switch Data: one SPDT & two SPDT Microswitch, 15amps 125/250V, Gold Contact Microswitch 1A 125/250VAC, Hermetically sealed switch 3A res. 1A ind. 28V/DC, 1A res. ind. 115V/AC

Housing: die cast aluminum alloy with paint

Conduit Connection: ¾" or ½" NPT Female

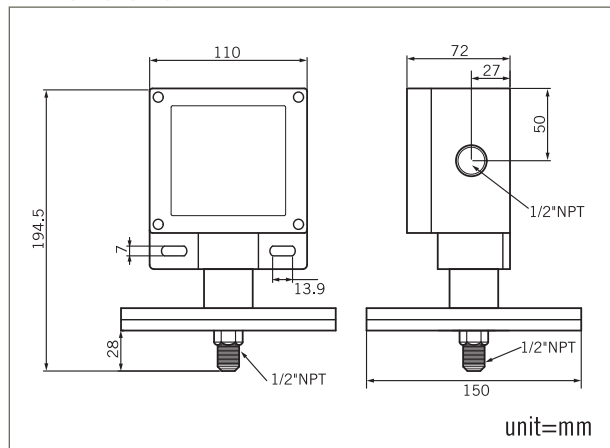
Pressure Element: welded type diaphragm

Process Materials: wetted parts are all in SS316

Process Connection: ½" or ¼" NPT male



Dimensions



Range Selection Table

Code	Adjustable Range	Dead Band	Maximum Pressure Proof
04R	0.4~1.8 psi	0.2~0.4	1000psi
10R	0.4~2.8 psi	0.2~0.5	1000psi
20R	0.4~5.0 psi	0.3~0.6	1000psi
30R	1.6~9.8 psi	0.3~0.8	1000psi

Ordering Information

PS2200W	Code	Range						
	04R	0.4~1.8psi	10R	0.4~2.8psi	20R	0.4~5.0psi	30R	1.6~9.8psi
	Code	Wetted Material						
	A	SS316						
	Code	Process Connection						
		(1) ½" NPT male (2) ¼" NPT male						
	Code	Condit Connection						
		(E) ¾" NPT Female (F) ½" NPT Female, standard						
	Code	Switch Form						
	1	One SPDT						
	2	Two SPDT (one setting point)						
	3	Gold Contact (SPDT)						
	4	Hermetically Sealed (SPDT)						
PS2200W								Complete Ordering Code