

VARIABLE AREA TYPE FLOW METER (ROTAMETER)

M-TYPE

Technical Data

A. Measuring The Flow Rate For

- Gases & Liquid
- Chemical process system
- Water treatment system
- Industrial flow system

B. Service Condition

- Viscosity: ≤ 3 cP
- Max working temperature: 100°C
- Max working pressure:
 - (1) Body material: MS: 15 kg/cm²
MV: 6 kg/cm²
 - (2) Glass tube: 6 kg/cm², Instant pressure: 8 kg/cm²
 - (3) P.C tube: 10 kg/cm², Instant pressure: 15 kg/cm²

C. Alarm Switch Available (N.O), IP67

- Switch rating: AC 125V 0.5A / DC 100V 10W /
Max. DC 250V <1mA

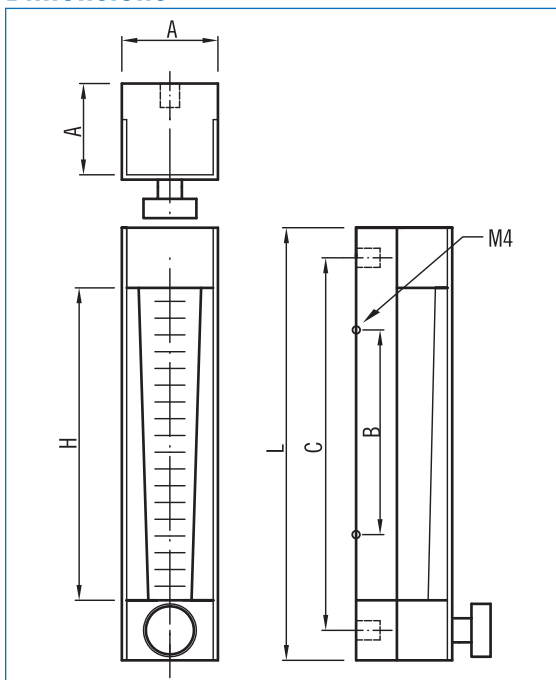
D. Accuracy: $\pm 4\%$ F.S

Operation Principle

The variable area flow meter content a float & taper tube. The fluid flow through the taper tube and force up to the float. The flow rate is measured as a function of the area of the opening. This area displayed as the float that is free to move to produce the varying area.



Dimensions



unit=mm

Range Size	H ₂ O (Max.) L/Min	Air (Max.) NL/Min	Dimension					
			PT/NPT	L	H	A	C	B
6A	0.03~0.3	0.5~5.0	1/4"	168	110	25	145	75
10A	0.1~1.0	2~20	3/8"	168	110	25	145	75
15A	1~10	20~200	1/2"	242	165	32	210	100
20A	2~20	30~300	3/4"	290	220	42	240	140
25A	5~50	80~800	1"	295	230	46	250	140

Ordering Information

M-Type	Code	Model	Code	Seal Material
	MS	Wetted parts are stainless steel	MV	Wetted parts are plastic
				(1) NBR (2) Viton (3) Teflon
		Code	Size	Code
			(1) 6A (2) 10A (3) 15A (4) 20A (5) 25A	Protection Supporter Material
				(1) SS304 (2) SS316
		Code	Connection Rating	Code
			(1) NPT (2) PT (3) option	Flow Range
				L 0.03~50 L/min for liquid
				G 0.5~800 NL/min for gases
		Code	Body Material	Code
			(1) SS304 (2) SS316 (3) SS316L (4) P.V.C	Flow Direction
			(5) P.P (6) PVDF (7) Option	1 Horizontal ↻
				2 Vertical ↑
		Code	Indicating Tube Material	Code
			(1) Glass (2) PC	Alarm Switch
				1R One setting point
		Code	Float Material	2R Two setting point
			(1) SS304 (2) SS316	0 Without alarm
			(3) P.V.C (4) P.P (5) PVDF	
			(6) Teflon (0) option	
M-Type				