

DISPLACER LEVEL SWITCH 200 Two Stage Series

EDW200 – Weather Proof Type

EDX200 – Explosion Proof Type

The NEW-FLOW Displacer Level Switches are made to fit wide range applications such as pump control, waste water level and deep open tank. They are designed for high corrosive resistance and long service life. 200-Series are one stage control and easy to install.

Technical Data

Easy Installation

Material: Wetted parts – SS316, SS304 available

The suitable S.G.: ≥ 0.6

Weather proof: IP65

Explosion proof: CLASS I, GROUPS A,B,C,D; CLASS II, GROUPS E,F,G; NEMA 4X

Micro switch rating (SPDT & 2SPDT Type): 5A/125VAC, 3A/250VAC, 3A/30VDC, 0.4A/125VDC, 0.2A/250VDC

Max. temperature: 250°C

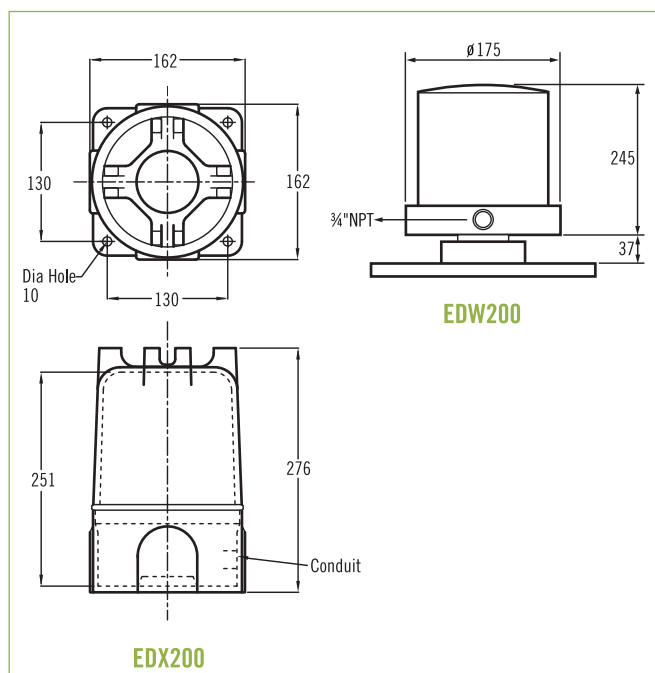
Float size: Ø60mmx160mm length, other sizes available upon request



Switch Function

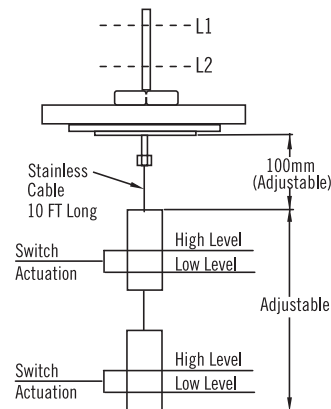
| | | |
|--------------------------|--------------|--|
| Dry Contact Micro-switch | 1SPDT X 2 | |
| Option | | |
| Dry Contact Micro-switch | 2SPDT X 2 | |
| Option | | |

Housing Dimensions

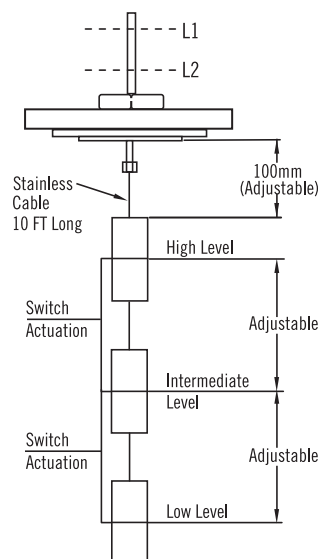


Control

Narrow Differential Model: 200



Wide Differential Model: 201



Ordering Information

| EDW/EDX | Code | Model |
|---------|------|--|
| | 200 | Narrow differential 201 Wide differential |
| | | Code Process Connection Size |
| | | (1) 2½" (2) 3" (3) Option |
| | | Code Process Connection Rating |
| | | (A) JIS10K (B) JIS20K (C) ANSI 150# (D) ANSI 300# (E) PN16 (F) PN40 (G) option |
| | | Code Conduit Size |
| | | 1 ¾" NPT |
| | | Code Switch Function |
| | | A Dry Contact Microswitch 1SPDT X 2 |
| | | B Option |
| | | C Dry Contact Microswitch 2SPDT X 2 |
| | | D Option |
| | | Code Float Material |
| | | (1) SS316 (2) SS304 |
| | | Code Wetted Parts |
| | | (A) SS316 (B) SS304 |
| | | Code Sp. Gr. |
| | | A (A) 1 (B) Other Sp. Gr. |
| | | Setting Point |
| | | Please fill in the requested length: L1= L2= |
| | | L1= L2= Complete Ordering Code |

WWW NEW-FLOW COM • TEL: 886-7-8135500 • FAX: 886-7-8225588 • Email: info@new-flow.com