

INTEGRAL ORIFICE ASSEMBLY IOA SERIES

Technical Data

Used Differential Pressure Transmitter

Various Process Pipe Size: ½", 1" and 1½" available

Process Connection: Bevel welded, flange

Orifice Plate According To: ISO 5167, ASME and AGA-3 standard

Flange Rating: 150LB up to 600LB

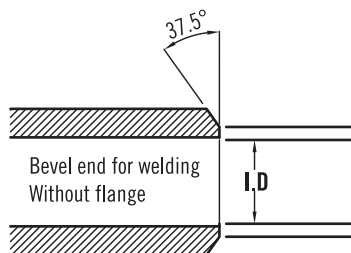
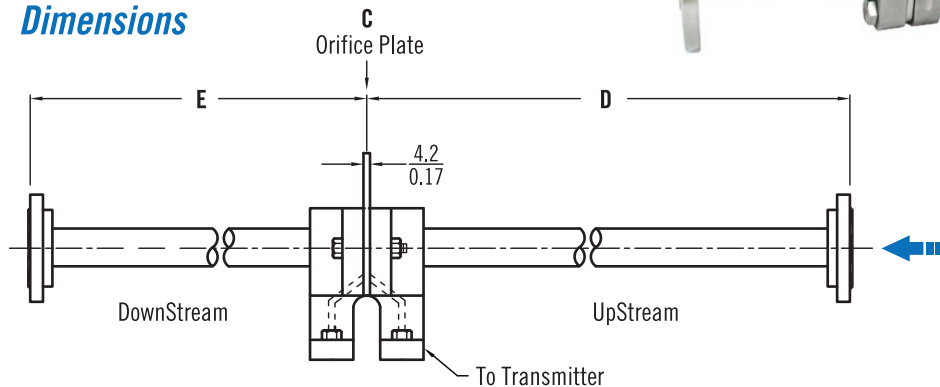
Pressure Limited: Up to 100 kg/cm²

Temperature Limited: -40°C~+150°C

Material: SS316 wetted parts & Teflon gasket



Dimensions



Assembly Line Size	Pipe Schedule	Straight Length Of Piping							
		With Flange				Without Flange			
		D		E		D		E	
		mm	in	mm	in	mm	in	mm	in
3/8"	40S 80S	254	10.0	115	4.5	242	9.5	112	4.4
1/2"	40S 80S	318	12.5	145	5.7	315	12.4	142	5.6
1"	40S 80S	513	20.2	221	8.7	510	20.1	218	8.6
1½"	40S 80S	721	28.4	302	11.9	716	28.2	28.2	11.7

* Orifice plate bore size is by vendor.

Ordering Information

IOA	Code	Wetted Parts Material
	S	SS316
		Code Gasket Material
		T Teflon
		Code Line Size
		(A) ¾" (B) ½" (C) 1" (D) 1½"
		Code Process Flange Size
		(A) ½" (B) ¾" (C) 1" (D) 1½" (O) option
		Code Process Connection
		1. Flange Type (Rating) 2. Welded Type
		15 ANSI 150# B Bevel End
		30 ANSI 300#
		60 ANSI 600#
		10 PN 10
		16 PN 16
		40 PN 40
		10K JIS 10K
		20K JIS 20K
		T Other: _____
IOA		Complete Ordering Code

*Please fill in the ordering information and the specification of service condition in the next page.

Specification of Integral Orifice Flowmeter

Individual Specification		Requirement	Requirement
1	Tag No. / P & ID No.		
2	Line No.		
3	Line Size & Schedule		
4	Pipe Material		
METER			
5	Design Type		
6	Calculation Standard		
7	Process Connection		
8	Plate Material		
9	Beta Ratio d/D		
10	Orifice Bore Diameter (mm)		
11	Vent or Drain Hole		
12	Plate Thickness (mm)		
13	Body Material		
14	Flange Material		
15	Bolts Material		
16	Gasket Material		
ASSEMBLY			
17	Associated Piping Material		
18	Flange Material		
19	3-Valve Manifold Material		
TRANSMITTER			
20	Type		
21	Mounting		
22	Case Material		
23	Enclosure Class		
24	Hazardous Area Classification		
25	Hazard Protection		
26	Power Supply		
27	Signal Output		
28	Conduit Connection		
29	Accuracy		
30	Zero Elevation / Suppression		
31	Output Gauge		
FLUID DATA			
32	Fluid		
33	Fluid Phase / Flow Unit		
34	Flow Range		
35	Flow Nor. / Max.		
36	Temp. Nor. / Max. (°C)		
37	Press. Nor. / Max. (BarG)		
38	Sp. Gr. @operating / @1 ATM 60°F		
39	Molecular Weight		
40	Operating Viscosity (cP)		
41	Oper. Gas Compress. Factor		
42	Max. Allowable DP		
MODEL			
43	Manufacturer		
44	Model No.		

* Please fill in above block on request.