

PADDLE WHEEL LIQUID FLOW METER

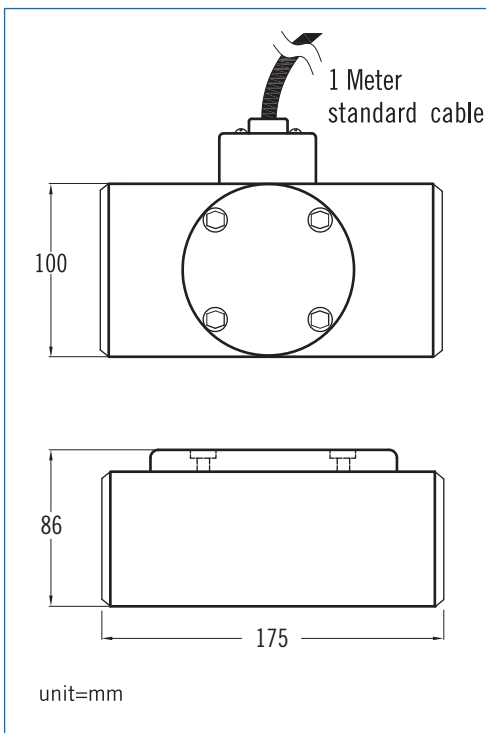
HF200

Technical Data

- Connecting size:** 1½" NPT female standard
- Power supply:** 3.8V to 30VDC
- Output:** Sink(NPN)
- Material:** Body-polypropylene
Cover,PP,PTFE available
Rotor-PVDF
Shaft-HC276
Bearings-PVDF
- O-ring:** Viton
- Max.temperature:** 70°C
- Max.pressure:** Polypropylene and PTFE-10kg/cm²
PVDF-15kg/cm²
- Accuracy:** ±2%F.S



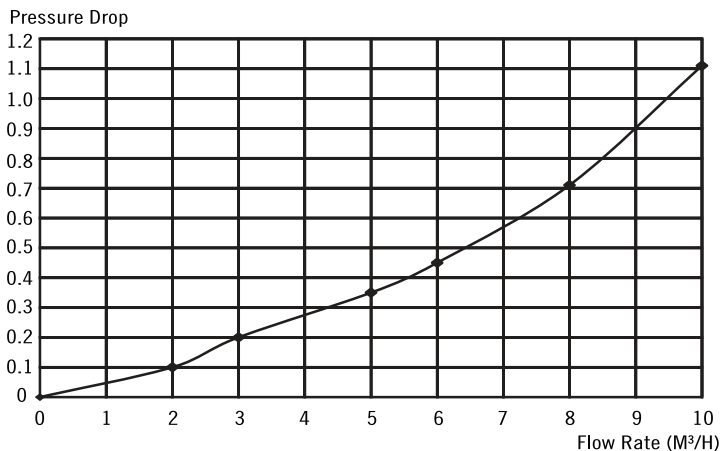
Dimensions



Range Table

Size	Flow Rates /M ³ H	Nominal Factors Per Liter
1½"	1~10	7.1

Pressure Drop: 1½"



Ordering Information

HF200	Code	Process connection size
		(1) 1½"
	Code	Body material
	A	Polypropylene
	B	PVDF
	Code	Cove Material
	(1) P.P (2) PVDF	
HF200		Complete ordering code