

PADDLE WHEEL LIQUID FLOW METER

HF100

Technical Data

Connecting size: 3/8", 1/2", 3/4", 1" NPT female standard

Power supply: 3.8V to 30VDC

Output: Sink(NPN)

Material: Body-polypropylene
 Cover-acrylic, PP, PTFE available
 Rotor-PVDF
 Shaft-ceramic
 Bearings-ceramic

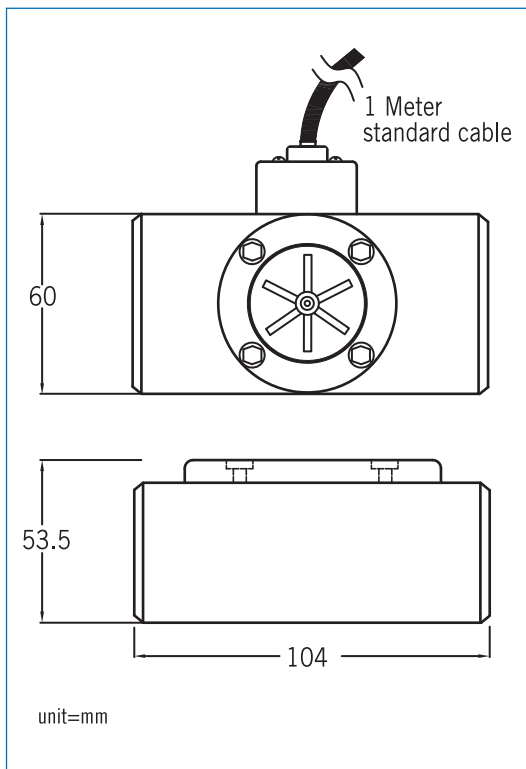
O-ring: Viton

Max. temperature: 70°C

Max. pressure: Polypropylene and PTFE-10kg/cm²
 PVDF-15kg/cm²

Accuracy: ±2%F.S

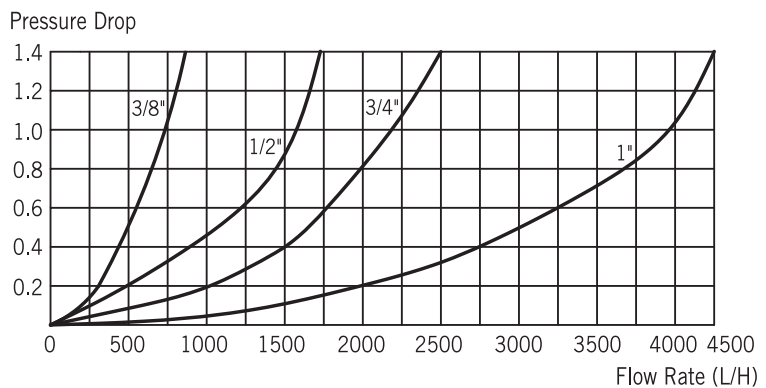
Dimensions



Range Table

Size	Flow Rates /LPH	Nominal Factors Per Liter
3/8"	20~800	398.32
1/2"	30~1400	205.32
3/4"	100~2100	150.32
1"	120~4200	61.02

Pressure Drop: 3/8"~1"



Ordering Information

HF100	Code	Process connection size				
		(1) 3/8" (2) 1/2" (3) 3/4" (4) 1"				
	Code	Body material				
	A	Polypropylene	B	PTFE	C	PVDF
	Code	Cover Material				
		(1) Acrylic(standard) (2) P.P (3) PTFE (4) PVDF				
HF100						Complete ordering code