

FLOW SIGHT GLASS GAUGE F SERIES

Flange Connection With Spring Paddle

The flow sight glass was designed with spring paddle for easy observation of flowing fluid from any direction.

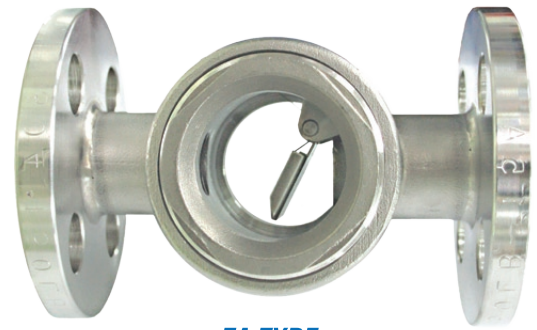
Technical Data

Service: – Compatible gas and liquid – Water treatment system
 – Industrial flow system – Double window indication

Material: Body–SS316, SS304, SS316L; Paddle–SS316;
 Spring–SS316; Guge–Tempered glass; Gasket–Teflon, Gore Tex, Graphite

Max working temperature: 200°C (Option: 300°C available)

Max working pressure: FA type-10 kg/cm² at 25°C air
 FB type-15 kg/cm² at 25°C air (Option: 30 kg/cm²)
 (FA,FB upon pressure on request available)



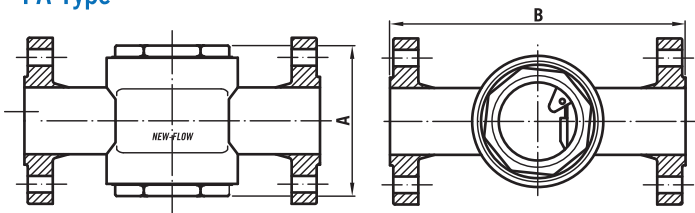
FA TYPE



FB TYPE

Dimension

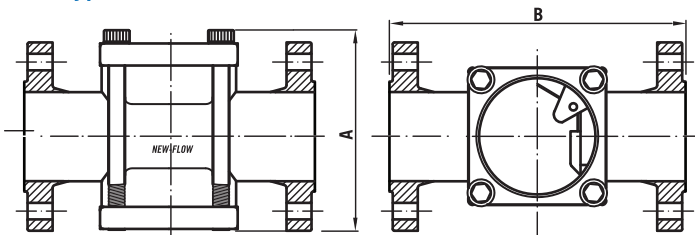
FA Type



Range		15A	20A	25A	40A	50A
Size	A	114	114	114	130	150
	B	130	130	160	200	220
	B (option)	140	140	140	180	220

unit=mm

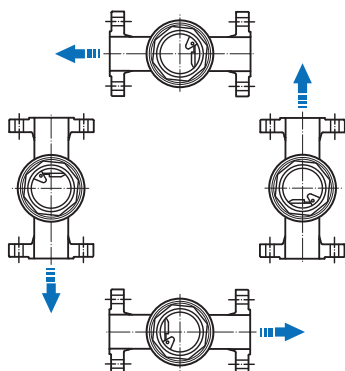
FB Type



Range		15A	20A	25A	40A	50A	65A	80A	100A	125A	150A	200A
Size	A	72	72	72	115	129	134	150	190	240	250	345
	B	130	130	160	200	220	270	270	320	380	420	500
	B (option)	140	140	140	180	220	260	260	310	–	–	–

unit=mm

Mounting Position



Ordering Information

FA/FB	Code	Wetted Parts Material
		(1) SS316 (2) SS304 (3) SS316L
		Code Size
	1	15A
	2	20A
	3	25A
	4	40A
	5	50A
	6	65A
	7	80A
	8	100A
	9	125A
	10	150A
	11	200A
		Code Connection Rating
	1	JIS 10K
	2	JIS 20K
	3	ANSI 150#
	4	ANSI 300#
	5	PN10
	6	PN16
	7	PN25
	0	option
		Code Gasket Material
	1	Teflon
	2	Gore-Tex
	3	Graphite