

FLOW METER SIGHT GLASS GAUGE

FT SERIES – Thread Connection

The flow meter sight glass was designed with spring paddle to indicating flow rate for easy observation of flowing fluid from any direction.

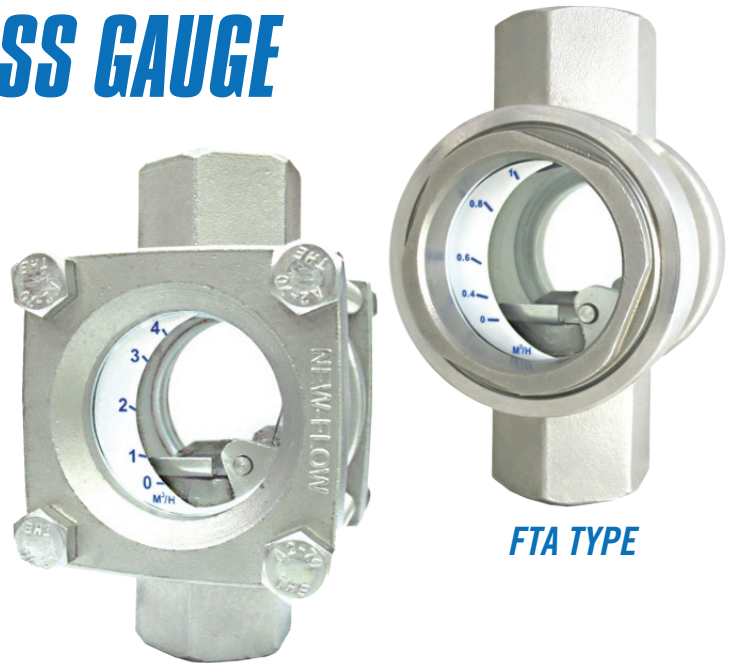
Technical Data

- Service:** – Compatible gas and liquid
 – Water treatment system
 – Industrial flow system
 – Double window indication

Material: Body–SS316; Paddle–SS316; Spring–SS316
 Gage–Tempered glass; Gasket–Teflon or Gore Tex

Max working temperature: 80°C

Max working pressure: FTA type– 10 kg/cm² at 25°C water
 FTB type– 15 kg/cm² at 25°C water

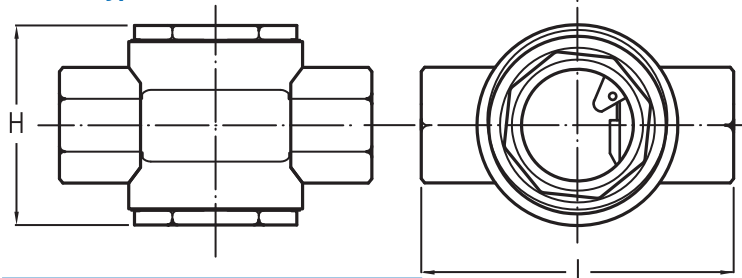


FTA TYPE

FTB TYPE

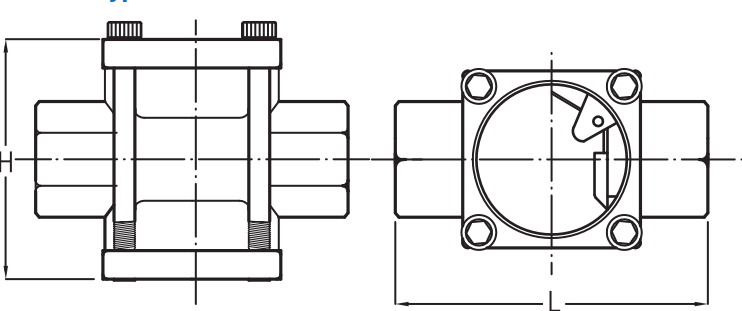
Dimensions

(A) FTA Type



Size	15A	20A	25A	32A	40A	50A
L	114	114	114	130	130	150
H	72	72	72	120	120	136

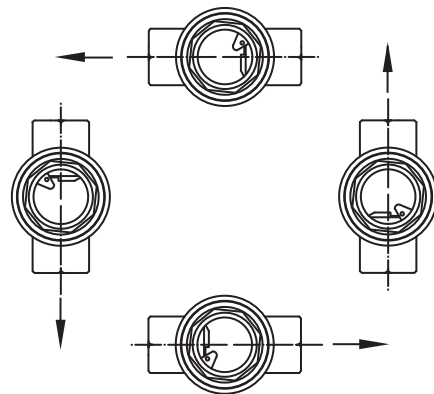
(B) FTB Type



Size	15A	20A	25A	32A	40A	50A
L	114	114	114	130	130	150
H	72	72	72	115	115	129

unit=mm

Mounting Position



Flow Range Table

Flow Range	Connection Size
0~1.5 M ³ /H	½", ¾", 1" available (15A, 20A, 25A)
0~3 M ³ /H	
0~4 M ³ /H	
0~8 M ³ /H	1¼", 1½", 2" available (32A, 40A, 50A)
0~10 M ³ /H	
0~12 M ³ /H	
0~16 M ³ /H	

Ordering Information

FTA/FTB	Code	Material	Code	Flow Range / Connection size		
↓	S	Wetted parts SS316	A	0~1.5 M ³ /H / ½", ¾" or 1" available		
			B	0~3 M ³ /H / ½", ¾" or 1" available		
			C	0~4 M ³ /H / ½", ¾" or 1" available"		
			D	0~8 M ³ /H / 1¼", 1½" or 2" available		
↓	1	NPT	E	0~10 M ³ /H / 1¼", 1½" or 2" available		
			F	0~12 M ³ /H / 1¼", 1½" or 2" available		
			G	0~16 M ³ /H / 1¼", 1½" or 2" available		
↓	2	PF				
			3	Option		
FTA/FTB			+	Complete Ordering Code		

Ordering code example:

FTA-S-1-C-1"

→ FTA = Model

→ S = SS316

→ 1= NPT

→ C-1"= 0~4 M³/H, 1"