

MINI TYPE DIAPHRAGM SEAL

DT101

DT-101 diaphragm seal is designed in economic type to save cost for application in highly viscous process industries. It is easy to assemble with pressure gauges, pressure switches, and pressure instrument.

Technical Data

Instrument connection: female thread ¼" to ½" BSP or NPT

Process connection: ¼" to ½" BSP or NPT, option available

Temperature limited: -40~+150°C

Pressure range limited: Maximum up to 140 kg/cm² (for pressure gauge)
Minimum 0~6 kg/cm²

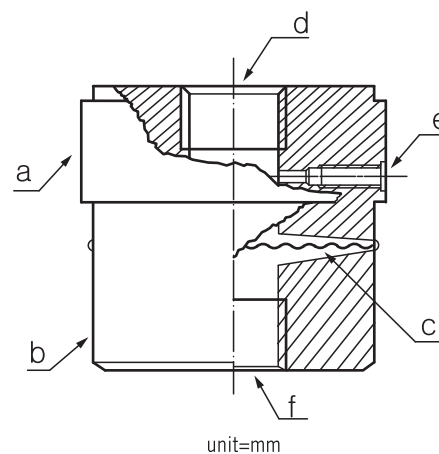
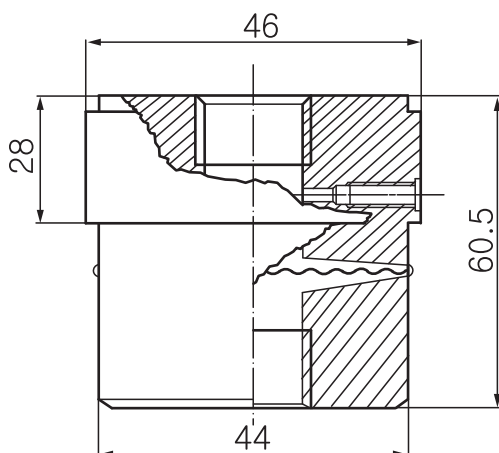
Material: body-SS316 (standard), option: SS316L, Hastelloy C276, others on request

Membrane: SS316L (standard); Options- Hastelloy C276, tantalum and others on request.



Dimensions

Item	Description of Parts
a	Upper housing
b	Lower housing
c	Membrane
d	Instrument connection
e	Filling port
f	Process connection



NOTE

Performance Technical Data are effective with date of issue and are subject to change without prior notice.

Ordering Information

DT101	Code	Instrument Connection (Female)
		(A) ¼" BSP (B) ¼" NPT (C) ⅜" BSP (D) ⅜" NPT (E) ½" BSP (F) ½" NPT
	Code	Process connection (Female)
		(1) ¼" BSP (2) ¼" NPT (3) ⅜" BSP (4) ⅜" NPT (5) ½" BSP (6) ½" NPT
	Code	Upper housing material
		(S) SS316(standard) (0) Option
	Code	Lower housing material
		(S) SS316(standard) (0) Option
	Code	Membrane material
		(1) SS316L (2) Option
DT101		Complete ordering code