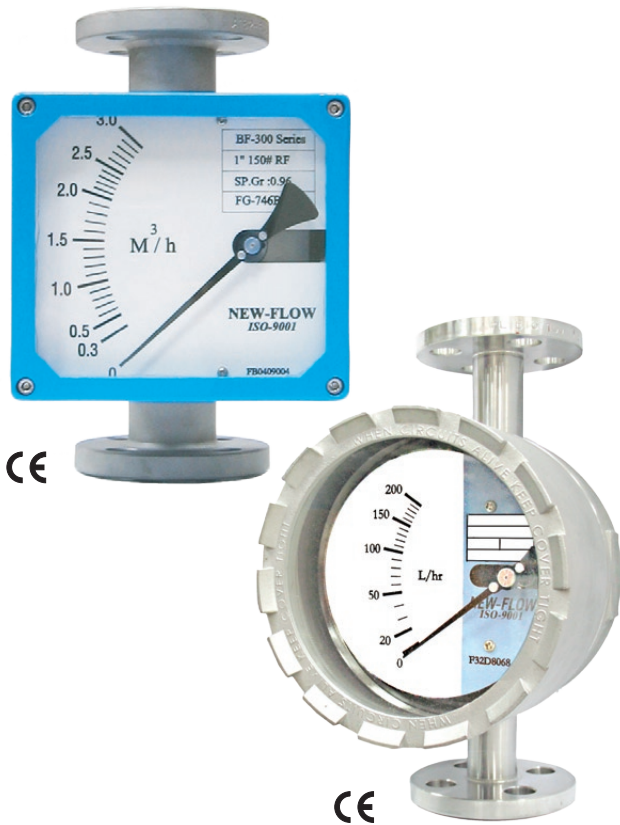
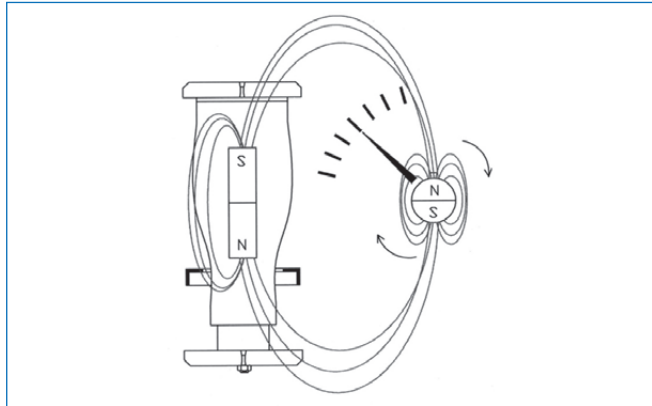


METAL TUBE FLOW METER BF300



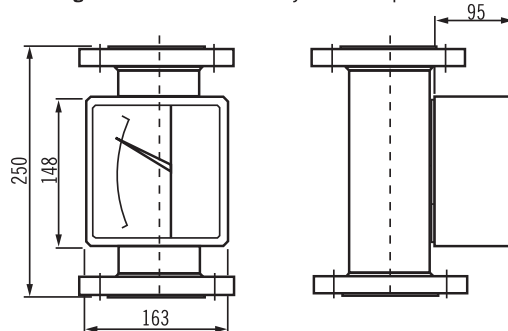
Principle



Dimensions-mm

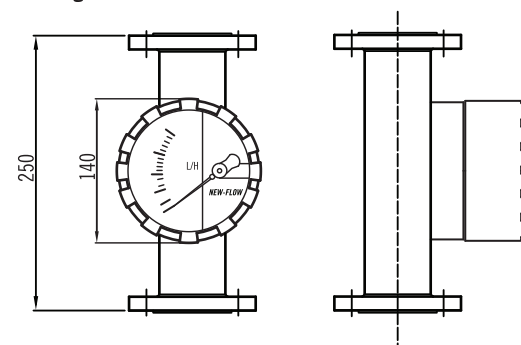
IP65

Case Type: (A-1) Rectangle Bolt Tight Type
Housing Material: Aluminum alloy case with paint



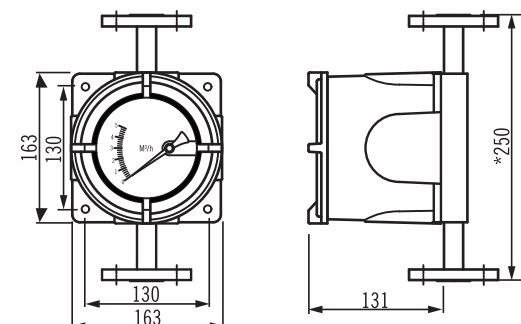
IP65

Case Type: (A-2) Round Screw Tight Type
Housing Material: Aluminum alloy
Case Type: (B) Round Screw Tight Type
Housing Material: SS316



Explosion Proof

Class I, Groups B,C & D; Class II, Groups E,F & G; NEMA 4,7,9



*Mounting length: 250mm standard
 Connection size bigger than 3", mounting length is 300mm.

Technical Data

BF300 for High flows of gas, liquid and steam

Material: Aluminum alloy case with paint; SS316 available

Body wetted parts: SS316, Others on request.

Indication via magnetic coupling (no sealed)

Scales calibrated: in l/h, m³/h, kg/h, %, etc.

Flow rates for:

- Water: 4 l/h up to 100,000 l/h (special ranges on request)
- Air: 0.1 Nm³/h up to 1200 Nm³/h (special ranges on request)

Connection types:

- flange type, trip clamp & sanitary (others on request)

Connection size: 1/2" ~ 5"

Mounting Length: 250mm Standard; Connection size bigger than 3", mounting length is 300mm; 300mm for Explosion proof

Temperature: -50°C to +200°C (300°C option)

Protection class: IP65 or Explosion Proof, CLASS I, GROUPS B, C & D; CLASS II, GROUPS E, F, & G; NEMA 4, 7, 9.

Accuracy: ±2% F.S (±1.6% F.S Option)

Max pressure: 40 kg/cm² (standard) (Option: up to 100 kg/cm²)

Option: Switch available (Micro switch 5A/250VAC, 2A/30VDC); Adjustable reed alarm switch available (form A bistable type, N.O. type); Adjustable inductive alarm switch available; 4~20mA 2-wires analog output available

Standard Scales

Tube	L/H 20°C Water	NM ³ /H Air 20°C 1.013bar	PmmWater	Connection	Accuracy (NOTE 1.)	Remark
BF3001	4 ~ 30	0.1 ~ 1	≤750	1/2"	±5% F.S	Unsuitable for transmitter GT type.
BF3002	4 ~ 40	0.13 ~ 1.3	≤750	1/2"	±5% F.S	Unsuitable for transmitter GT type.
BF3003	5.5 ~ 55	0.17 ~ 1.7	≤750	1/2"	±5% F.S	Unsuitable for transmitter GT type.
BF3004	8 ~ 80	0.2 ~ 2	≤750	1/2"	±2% F.S	
BF3005	16 ~ 160	0.5 ~ 5	≤750	1/2"	±2% F.S	
BF3006	18 ~ 180	0.6 ~ 6	≤750	1/2"	±2% F.S	
BF3007	30 ~ 300	1 ~ 10	≤750	1/2"	±2% F.S	
BF3008	50 ~ 500	1.5 ~ 15	≤750	1/2"	±2% F.S	
BF3009	60 ~ 600	1.8 ~ 18	≤750	1/2"	±2% F.S	
BF3010	70 ~ 700	2 ~ 20	≤750	1/2"	±2% F.S	
BF3011	100 ~ 1000	3 ~ 30	≤750	3/4"	±2% F.S	
BF3012	120 ~ 1200	4 ~ 40	≤750	1"	±2% F.S	
BF3013	160 ~ 1600	5 ~ 50	≤700	1"	±2% F.S	
BF3014	200 ~ 2000	6 ~ 60	≤700	1"	±2% F.S	
BF3015	240 ~ 2400	7 ~ 70	≤700	1"	±2% F.S	
BF3016	280 ~ 2800	8.5 ~ 85	≤700	1"	±2% F.S	
BF3017	320 ~ 3200	9 ~ 90	≤700	1"	±2% F.S	
BF3018	350 ~ 3500	10 ~ 100	≤700	1"	±2% F.S	
BF3019	500 ~ 5000	14 ~ 140	≤650	1½"	±2% F.S	
BF3020	600 ~ 6000	15 ~ 150	≤650	1½"	±2% F.S	
BF3021	700 ~ 7000	20 ~ 200	≤650	1½"	±2% F.S	
BF3022	800 ~ 8000	24 ~ 240	≤650	1½"	±2% F.S	
BF3023	1000 ~ 10000	30 ~ 300	≤650	2"	±2% F.S	
BF3024	1200 ~ 12000	35 ~ 350	≤650	2"	±2% F.S	
BF3025	1400 ~ 14000	40 ~ 400	≤650	2"	±2% F.S	
BF3026	1500 ~ 15000	45 ~ 450	≤1000	2"	±2% F.S	
BF3027	1800 ~ 18000	60 ~ 600	≤800	2½"	±2% F.S	
BF3028	2000 ~ 20000	75 ~ 750	≤800	2½"	±2% F.S	
BF3029	2300 ~ 23000	90 ~ 900	≤850	3"	±2% F.S	
BF3030	2500 ~ 25000	120 ~ 1200	≤1000	3"	±2% F.S	
BF3031	2800 ~ 28000	-----	≤1100	3"	±2% F.S	
BF3032	3000 ~ 30000	-----	≤1200	3"	±2% F.S	
BF3033	3500 ~ 35000	-----	≤1000	4"	±2% F.S	
BF3034	4000 ~ 40000	-----	≤1000	4"	±2% F.S	
BF3035	5000 ~ 50000	-----	≤1200	4"	±2% F.S	
BF3036	6000 ~ 60000	-----	≤1500	4"	±2% F.S	
BF3037	10000 ~ 100000	-----	≤2500	5"	±2% F.S	

NOTE.

- The accuracy ±5% F.S for tube BF3001~BF3003.
The accuracy ±2% F.S for tube BF3004~BF3037 and option ±1.6% F.S on request.
- Performance Technical Data are effective with date of issue and are subject to change without prior notice.

