

Features

- ▶ Self powered, 8 digit LCD cumulative totaliser and large 5 digit resettable totaliser
- ▶ Robust field or meter mountable housing with protection cover
- ▶ Simple programming
- ▶ PIN protected programming
- ▶ Accepts universal pulse inputs
- ▶ IP66/67 Weatherproof (NEMA 4X)
- ▶ Intrinsically safe version
- ▶ Long battery life
- ▶ Reverse polarity protection
- ▶ Display backlighting option

Outputs

- Pre-amplified pulse
- Scaleable pulse

Also available

- Flow rate totalisers
- Ecobatch batch controllers



Overview

The BT programmable self powered totaliser is specifically designed for computing & displaying totals from flowmeters or machinery with frequency, sine wave or pulse outputs.

The instrument simultaneously displays resettable (batch) total & a cumulative total in engineering units as programmed by the user.

Ultra low power consumption is a result of innovative design which provides as much as 10 years of service from the replaceable 3.6V lithium battery. The BT may also be externally powered by 8~24Vdc.

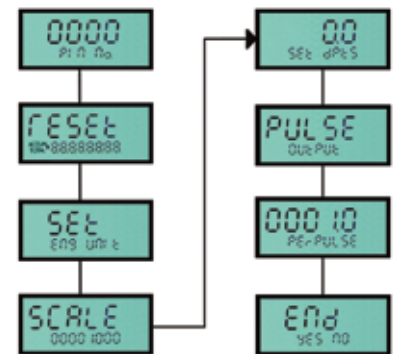
Pulse Outputs

The pulse output can be set as either a scaled or un-scaled pulse & is NPN/ PNP selectable.

The un-scaled pulse serves as a frequency amplifier for turbine or paddle wheel style flowmeters.

Programming

Simple PIN protected flow chart programming with English prompts guide you through the programming routine, greatly reducing the need to refer to the instruction manual.



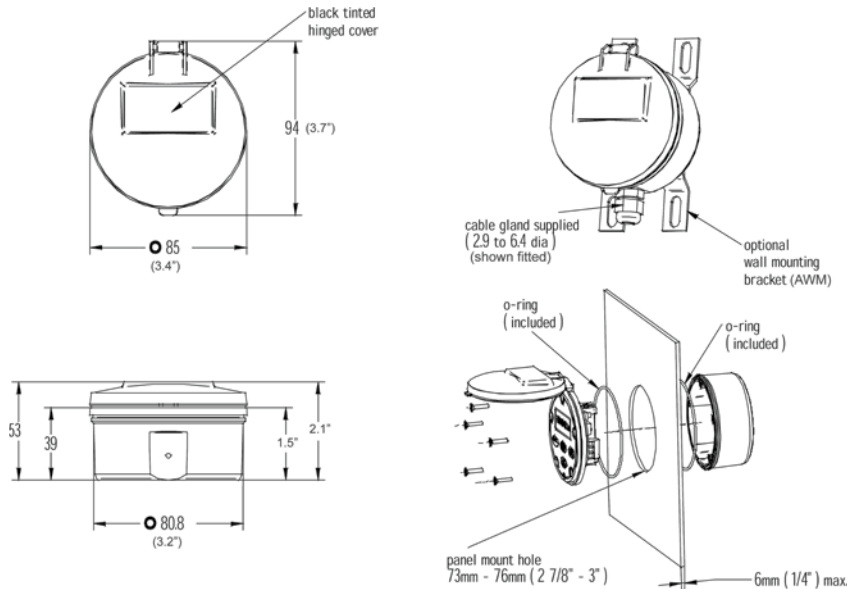
Programming Sequence

Specifications

Liquid crystal display (LCD)	alpha numeric LCD characters
Resettable total	5 digit x 7.5mm high, programmable to 3 decimal places
Accumulated total	8 digit x 3.6mm high, programmable to 3 decimal places
Engineering units displayed	litres, MLitres, gallons, Mgallons m3, lbs, kgs or no engineering units displayed
Input types (pulse & frequency)	reed switch, open collector, coil (15mV P-P min.), voltage, current, namur & other proximities
Max. input frequencies	coil 5Khz, hall 2.5Khz, namur 250hz
Input scaling range	0.001~9,999,999.999 with 3 floating decimal points
Pulse outputs	NPN/PNP selectable, non-scaleable (5Khz max.) or scaleable (8hz max.). The scaleable pulse output has a pulse width of 60msec
Operating temperature	-20~+80°C (-4~176°F), refer factory for higher / lower temp.
Power source	1 x 3.6V lithium battery, can last to 10 yrs.
External powering	8~24Vdc (drives output & backlighting)
Intrinsic safe option	Exia IIB T4
Enclosure	IP66/67 (NEMA 4X) glass reinforced nylon, 175g (0.4lb)
Electrical	supplied with gland to suit 3-6mm (0.1- 0.2") Ø cable
Mounting	meter mount, wall, surface, pipe & panel

IN THE INTEREST OF CONTINUED PRODUCT DEVELOPMENT THE DESIGN & SPECIFICATIONS MAY ALTER WITHOUT NOTICE

Dimensions (mm)



Ordering codes

FMBT110D0	cumulative & batch (reset) totaliser with pulse output
-----------	--------------------------------------------------------

Housing type

FM	universal mount (field, surface, pipe, wall or panel mount)
MM	integral meter mount

Options

I	intrinsically safe to Exia IIB T4
B	backlighting of LCD display (requires external dc power)

Optional adaptors

AWM	stainless steel wall mount kit	ATM	fixed stem for Turbine meters
APM	stainless steel 2" pipe mount kit	AUS	swivel stem for Turbine meters
ACF	cooling fin for hi temp. flowmeters	ACG	additional cable gland



wall - surface mount



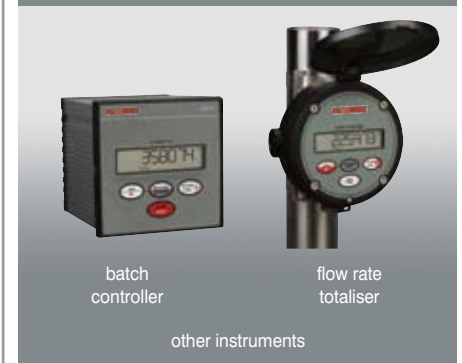
panel mounted



meter mount



meter mount



batch controller

flow rate totaliser

other instruments